



NORANDEX™

EXTERIOR PRODUCTS FOR YOUR HOME

*See NEW Premium
Stainless Steel Micro
Mesh Gutter Screen
Pg 21*

RAINWARE & SIDING ACCESSORIES

Houston Plant

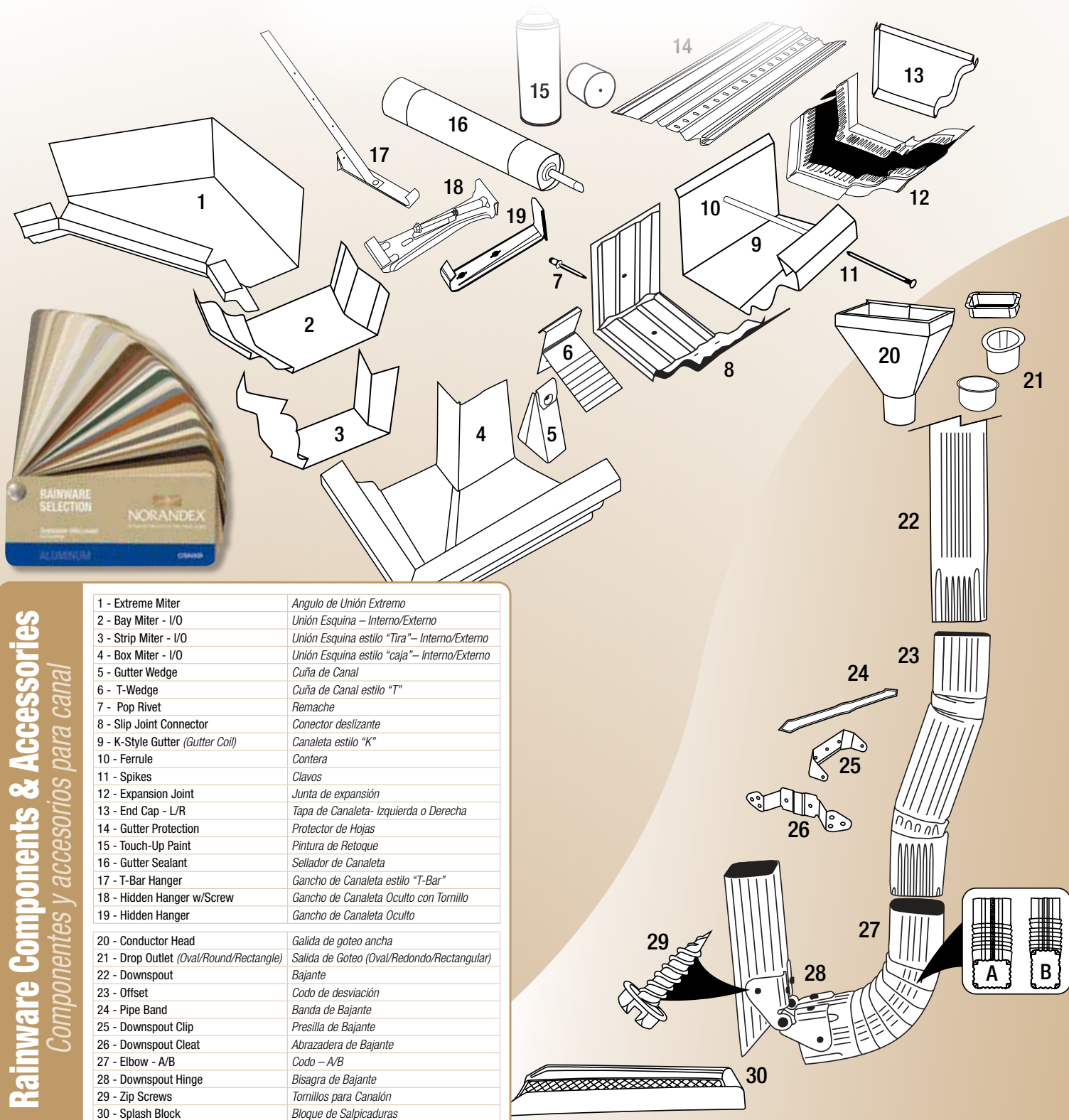
www.acm-metals.com

Rainware Components & Accessories



NORANDEX™

EXTERIOR PRODUCTS FOR YOUR HOME



Rainware Components & Accessories

Componentes y accesorios para canal

1 - Extreme Miter	Angulo de Unión Extremo
2 - Bay Miter - I/O	Unión Esquina – Interno/Externo
3 - Strip Miter - I/O	Unión Esquina estilo "Tira" – Interno/Externo
4 - Box Miter - I/O	Unión Esquina estilo "caja" – Interno/Externo
5 - Gutter Wedge	Cuña de Canal
6 - T-Wedge	Cuña de Canal estilo "T"
7 - Pop Rivet	Remache
8 - Slip Joint Connector	Conector deslizante
9 - K-Style Gutter (Gutter Coil)	Canaleta estilo "K"
10 - Ferrule	Contera
11 - Spikes	Clavos
12 - Expansion Joint	Junta de expansión
13 - End Cap - L/R	Tapa de Canaleta- Izquierda o Derecha
14 - Gutter Protection	Protector de Hojas
15 - Touch-Up Paint	Pintura de Retoque
16 - Gutter Sealant	Sellador de Canaleta
17 - T-Bar Hanger	Gancho de Canaleta estilo "T-Bar"
18 - Hidden Hanger w/Screw	Gancho de Canaleta Oculto con Tornillo
19 - Hidden Hanger	Gancho de Canaleta Oculto
20 - Conductor Head	Galida de goteo ancha
21 - Drop Outlet (Oval/Round/Rectangle)	Salida de Goteo (Oval/Redondo/Rectangular)
22 - Downspout	Bajante
23 - Offset	Codo de desviación
24 - Pipe Band	Banda de Bajante
25 - Downspout Clip	Presilla de Bajante
26 - Downspout Cleat	Abrazadera de Bajante
27 - Elbow - A/B	Codo – A/B
28 - Downspout Hinge	Bisagra de Bajante
29 - Zip Screws	Tornillos para Canalón
30 - Splash Block	Bloque de Salpicaduras



Table of Contents

Gutter Coil Conversion Chart	2	Hangers	13-15
Gutters	3	Hidden	13
Gutter Coil	3	T-Bar	14
Spin Down Gutter Coil	3	Vampire	14
Downspouts	4	T-Wedges	15
Elbows	5	Gutter Wedges	15
Variable Degree Elbows	6	Hangers with Screws.....	15
Conductor Heads	6	Rainware Accessories	16
Offsets	7-8	Fascia Brackets	16
Downspout Accessories	9-10	Round/Half Round Products	17-20
Outlets.....	9	Half Round Gutters	17
Wire Strainers	9	Round Downspouts	17
Drain Tile Adapters	9	Round Elbows	18
Y Adapters.....	9	Round Offsets	18
Y Diverters	10	Half Round Outlets.....	19
Downspout Bands.....	10	Half Round Miters	19
Downspout Clips.....	10	Half Round Slip Joints.....	19
Downspout Hinges	10	Half Round End Caps.....	19
Splash Blocks.....	10	Half Round Brackets.....	20
Miters	11	Half Round Hidden Hangers.....	20
Box Miters	11	Half Round T-Wedge Hangers	20
Bay Miters	11	Gutter Protection	21
Strip Miters.....	11	NX Gutter Protection Screen Systems	21
Extreme Miter™	11	ACM Gutter Protection	22
Joints & End Caps	12	Siding Accessories	23
Expansion Joints.....	12	Starter Strip	23
Slip Joints.....	12	Z-Bar	23
End Caps.....	12	Window Flashing.....	23
		Warranties	24-26
		Norandex™ Rainware Color Swatches	29

PROUDLY FINISHED WITH
SHERWIN-WILLIAMS.
Coil Coatings

To place orders for metal products, please call:
Houston Plant Customer Service: **Ph 800-357-7523 • Fax 713-466-5404**
www.acm-metals.com

For siding and window inquiries, please call Norandex™
Corporate Customer Service at **800-528-0942**



Gutter Coil Conversion Factors

(Determining Feet to Weight)

Coil Width	Material Thickness	Conversion Multiplier Formula			
11-3/4"	.027" Alum.	lin. ft. _____	X	.377 = _____	# lbs.
11-7/8"	.027" Alum.	lin. ft. _____	X	.380 = _____	# lbs.
14"	.027" Alum.	lin. ft. _____	X	.453 = _____	# lbs.
15"	.027" Alum.	lin. ft. _____	X	.476 = _____	# lbs.
11-3/4"	.032" Alum.	lin. ft. _____	X	.446 = _____	# lbs.
11-7/8"	.032" Alum.	lin. ft. _____	X	.450 = _____	# lbs.
13"	.032" Alum.	lin. ft. _____	X	.500 = _____	# lbs.
15"	.032" Alum.	lin. ft. _____	X	.571 = _____	# lbs.
18"	.032" Alum.	lin. ft. _____	X	.678 = _____	# lbs.
11-7/8"	26 ga. Steel	lin. ft. _____	X	.768 = _____	# lbs.
12"	26 ga. Steel	lin. ft. _____	X	.775 = _____	# lbs.
13"	26 ga. Steel	lin. ft. _____	X	.839 = _____	# lbs.
14"	26 ga. Steel	lin. ft. _____	X	.904 = _____	# lbs.
15"	26 ga. Steel	lin. ft. _____	X	.969 = _____	# lbs.
19"	26 ga. Steel	lin. ft. _____	X	1.23 = _____	# lbs.
11-7/8"	26 ga. Galvalume	lin. ft. _____	X	.72 = _____	# lbs.
15"	26 ga. Galvalume	lin. ft. _____	X	.90 = _____	# lbs.
11-7/8"	16 oz. Copper	lin. ft. _____	X	.99 = _____	# lbs.
15"	16 oz. Copper	lin. ft. _____	X	1.25 = _____	# lbs.

To process an order for a spin down quantity, determine the number of pounds based on the requested footage by the contractor. Enter the number of pounds on the ticket noting the required footage. After spinning down the required coil footage, re-weigh the coil to verify the actual pounds of coil taken out of inventory. Note the actual weight in shipped column of the ticket. Update the tickets to adjust the invoice accordingly. This process ensures proper invoicing and accurate inventory levels.

These coils are cut from master coils which are slightly thicker in the middle to avoid oil canning during the painting process. The gauge can vary slightly depending on where the coil was cut from the master coil. Inventory will vary if the product is sold by footage and not weight. Remember, product is purchased by the pound. Re-weighing is necessary for accuracy.

A NOTE ABOUT COLOR SELECTION

NORANDEX™ provides color chip cards which show a close representation of the color. The purpose of color chip cards is to narrow down the homeowner choice of colors. Depending upon the substrate, the final selection should always be based on either an aluminum or steel color tile fan deck, viewed in full sunlight.

Metallic colors, such as Copper Penny (CP), Bronze (BZ), Rustic Copper (M2), and Weathered Bronze (WB), have mica (refractive) or aluminum (reflective) flakes added to the paint finish. The color of different products may be the same (as measured on a colorimeter), but the visual appearance may look slightly different when viewed from different angles and varying amount of sunlight. This is a normal occurring phenomenon and is due the chance positioning of the mica and aluminum flakes when added to the paint finish.



NORANDEX™ Gutters

HOUSTON PLANT

Gutter Coil

Part #	Description	Colors	Nom. Gauge/ Thickness	Pieces/ Pound	Rolls/ Pallet
Gutter Coil					
AGC21178 - -	Aluminum 11-7/8" Coil	AD, AL, AI, BB, BK, BZ, BS, BU, CA, CG, CC, CP, CU, DS, EV, EG, HG, HV, HN, LI, MB, PC, M2, M3, RW, RB, ST, SI, TB, TX, VG, VI, WH, 80, WI	0.027	Order by the lb.	3
AGC215 - -	Aluminum 15" Coil	AL, AI, BB, BZ, BS, BU, CA, CG, CC, CP, CU, DS, EV, EG, HG, HV, HN, LI, MB, PC, M3, RW, RB, M2, ST, SI, TB, TX, VG, VI, WH, 80, WI	0.027	Order by the lb.	2

Spin Down Gutter Coil

LSC61178	Galvalume 11-7/8" Coil	Mill	26 ga	Order by the lb.
LSC615	Galvalume 15" Coil	Mill	26 ga	Order by the lb.
CSC21178	Copper 11-7/8" Coil 1'/#	Copper	16 oz	Order by the lb.
CSC215	Copper 15" Coil	Copper	16 oz	Order by the lb.

Rainware & Accessories Colors

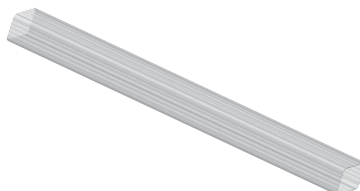
COLOR	CODE	COLOR	CODE	COLOR	CODE	COLOR	CODE	COLOR	CODE
NX ALMOND	AD	CAMEO	CA	EVEREST	EV	PEBBLESTONE CLAY	PC	TERRA BRONZE	TB
ALMOND	AL	CHARCOAL GREY	CG	EVERGREEN	EG	PG METALLIC	M3	TUXEDO GREY	TX
ANTIQUÉ IVORY	AI	CLASSIC CREAM	CC	HARBOR GREY	HG	REDWOOD	RW	VICTORIAN GREY	VG
BEAVER BROWN	BB	COPPER PENNY	CP	HARVEST BROWN	HV	ROYAL BROWN	RB	VILLAGE GREEN	VI
BLACK	BK	COUNTRY BLUE	CU	HERRINGBONE	HN	*RUSTIC COPPER	M2	WHITE	WH
BRONZE	BZ	DESERT SAND	DS	LINEN	LI	SANDTONE	ST	80 WHITE	80
BROOKSTONE	BS			MUSKET BROWN	MB	NX SIERRA CLAY	SI	WICKER	WI
BUCKSKIN	BU								

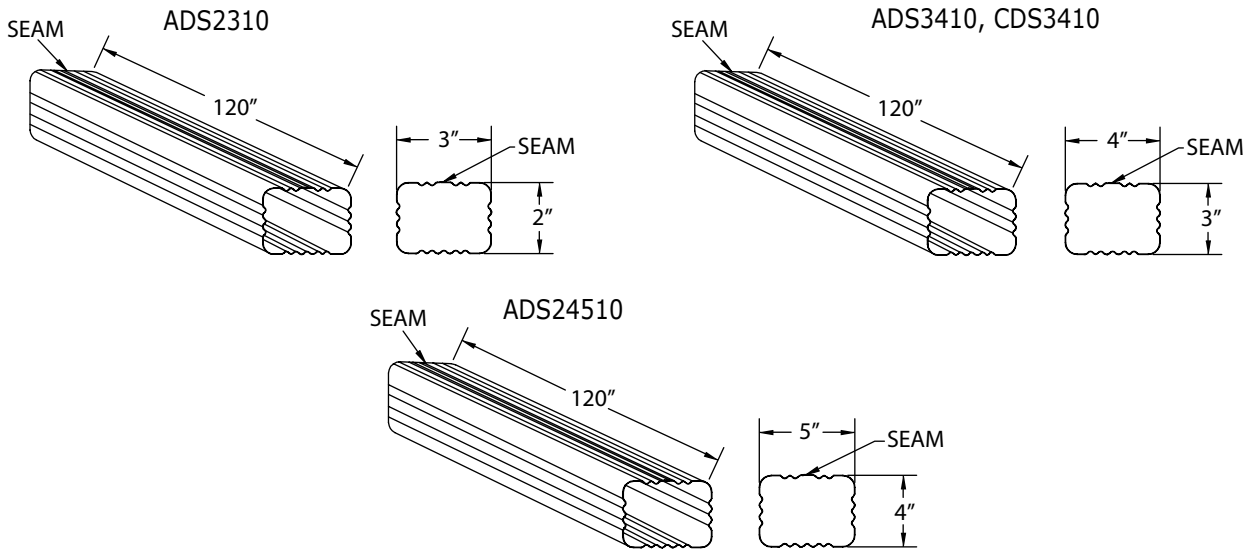
***Rustic Copper is a PREMIUM color. NOTE:** Rustic Copper (M2) accessories, including miters and end caps, may display paint finish variations due to the metallic painting process, which may affect matching components.



NORANDEX™ Downspouts

HOUSTON PLANT

Downspouts		Part #	Description	Colors	Nom. Gauge/ Thickness	Piece Length	Pieces/ Box	Boxes/ Pallet
	ADS238 - -	Aluminum 2 x 3 x 8' Downspout	(Listed Below)	0.019	8'	10	28	
	ADS238M2	Aluminum 2 x 3 x 8' Downspout	M2 (Premium Color)	0.019	8'	10	28	
	ADS2310 - -	Aluminum 2 x 3 x 10' Downspout	(Listed Below)	0.019	10'	10	28	
	ADS2310M2	Aluminum 2 x 3 x 10' Downspout	M2 (Premium Color)	0.019	10'	10	28	
	ADS348 - -	Aluminum 3 x 4 x 8' Downspout	(Listed Below)	0.019	8'	10	15	
	ADS348M2	Aluminum 3 x 4 x 8' Downspout	M2 (Premium Color)	0.019	8'	10	15	
	ADS3410 - -	Aluminum 3 x 4 x 10' Downspout	(Listed Below)	0.019	10'	10	15	
	ADS3410M2	Aluminum 3 x 4 x 10' Downspout	M2 (Premium Color)	0.019	10'	10	15	
	ADS24510 - -	Aluminum 4 x 5 x 10' Downspout	AL, AI, BK, BZ, CC, MB, RB, ST, SI, TB, WH, 80, WI	0.027	10'	6	15	
	<hr/>							
GDS63410WH	Galvanized 3 x 4 x 10' Downspout	WH	26 ga	10'	10	15		
GDS63410ML	Galvanized 3 x 4 x 10' Downspout	Mill	26 ga	10'	10	15		
<hr/>								
LDS238	Galvalume 2 x 3 x 8' Downspout	Mill	26 ga	8'	10			
LDS2310	Galvalume 2 x 3 x 10' Downspout	Mill	26 ga	10'	10			
LDS348	Galvalume 3 x 4 x 8' Downspout	Mill	26 ga	8'	10			
LDS3410	Galvalume 3 x 4 x 10' Downspout	Mill	26 ga	10'	5			
<hr/>								
CDS2310	Copper 2 x 3 x 10' Downspout	Copper	16 oz	10'	Order by the pc.			
CDS3410	Copper 3 x 4 x 10' Downspout	Copper	16 oz	10'	Order by the pc.			



Rainware & Accessories Colors


COLOR	CODE	COLOR	CODE	COLOR	CODE	COLOR	CODE	COLOR	CODE
NX ALMOND	AD	CAMEO	CA	EVEREST	EV	PEBBLESTONE CLAY	PC	NX SIERRA CLAY	SI
ALMOND	AL	CHARCOAL GREY	CG	EVERGREEN	EG	PG METALLIC	M3	TERRA BRONZE	TB
ANTIQUÉ IVORY	AI	CLASSIC CREAM	CC	HARBOR GREY	HG	REDWOOD	RW	TUXEDO GREY	TX
BEAVER BROWN	BB	COPPER PENNY	CP	HARVEST BROWN	HV	ROYAL BROWN	RB	VICTORIAN GREY	VG
BLACK	BK	COUNTRY BLUE	CU	HERRINGBONE	HN	*RUSTIC COPPER	M2	VILLAGE GREEN	VI
BRONZE	BZ	DESERT SAND	DS	NX LINEN	LN	NX SAND STONE	SS	WHITE	WH
BROOKSTONE	BS			LINEN	LI	SANDTONE	ST	80 WHITE	80
BUCKSKIN	BU			MUSKET BROWN	MB			WICKER	WI

*Rustic Copper is a PREMIUM color. NOTE: Rustic Copper (M2) accessories, including miters and end caps, may display paint finish variations due to the metallic painting process, which may affect matching components.

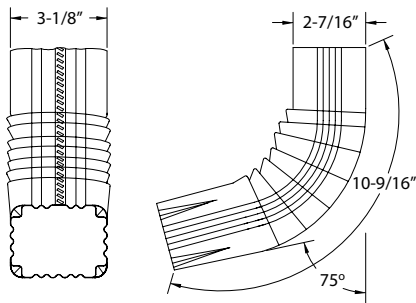


NORANDEX™ Elbows

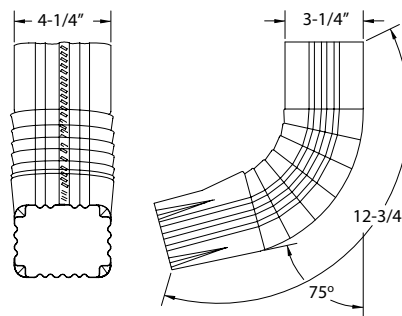
HOUSTON PLANT

Elbows	Part #	Description	Colors	Nom. Gauge/Thickness	Piece Length	Pieces/Box	Boxes/Pallet
	AAE23 - -	Aluminum 2 x 3 A's Elbow	(Listed Below)	0.019	10-9/16"	30	32
	AAE23M2	Aluminum 2 x 3 A's Elbow	M2 (Premium Color)	0.019	10-9/16"	30	32
	AAE34 - -	Aluminum 3 x 4 A's Elbow	(Listed Below)	0.019	12-3/4"	30	28
	AAE34M2	Aluminum 3 x 4 A's Elbow	M2 (Premium Color)	0.019	12-3/4"	30	28
	AAE245 - -	Aluminum 4 x 5 A's Elbow	AL, AI, BK, BZ, CC, MB, RB, ST, SI, TB, WH, 80, WI	0.027	15-1/2"	9	12
	ABE23 - -	Aluminum 2 x 3 B's Elbow	(Listed Below)	0.019	11-1/2"	30	32
	ABE23M2	Aluminum 2 x 3 B's Elbow	M2 (Premium Color)	0.019	11-1/2"	30	32
	ABE34 - -	Aluminum 3 x 4 B's Elbow	(Listed Below)	0.019	15"	30	28
	ABE34M2	Aluminum 3 x 4 B's Elbow	M2 (Premium Color)	0.019	15"	30	28
	ABE245 - -	Aluminum 4 x 5 B's Elbow	AL, AI, BK, BZ, CC, MB, RB, ST, SI, TB, WH, 80, WI	0.027	15-3/4"	9	12
LAE23	Galvalume 2 x 3 A's Elbow	Mill	26 ga	10-9/16"	30		
LAE34	Galvalume 3 x 4 A's Elbow	Mill	26 ga	12-3/4"	30		
LBE23	Galvalume 2 x 3 B's Elbow	Mill	26 ga	11-1/2"	30		
LBE34	Galvalume 3 x 4 B's Elbow	Mill	26 ga	15"	30		
CAE23	Copper 2 x 3 A's Elbow	Copper	16 oz	10-9/16"	Order by the pc.		
CAE34	Copper 3 x 4 A's Elbow	Copper	16 oz	12-3/4"	Order by the pc.		
CBE23	Copper 2 x 3 B's Elbow	Copper	16 oz	11-1/2"	Order by the pc.		
CBE34	Copper 3 x 4 B's Elbow	Copper	16 oz	15"	Order by the pc.		

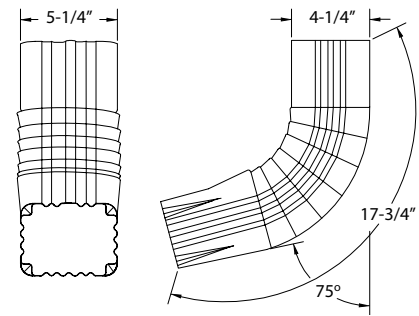
AAE23, CAE23 A-Elbow



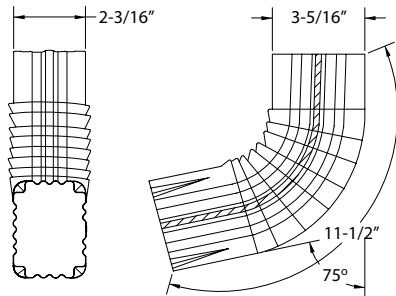
AAE34, CAE34 A-Elbow



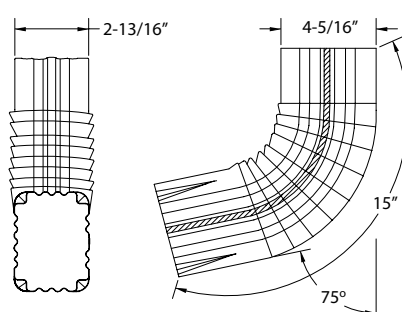
AAE245 A-Elbow



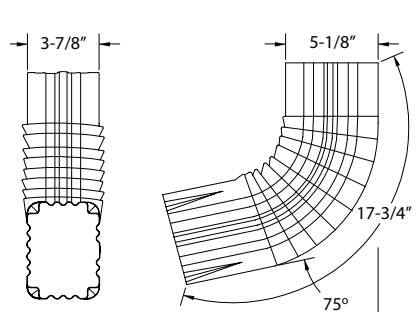
ABE23, CBE23 B-Elbow



ABE34, CAE34 B-Elbow



ABE245 B-Elbow



Rainware & Accessories Colors

COLOR	CODE	COLOR	CODE	COLOR	CODE	COLOR	CODE	COLOR	CODE
NX ALMOND	AD	CAMEO	CA	EVEREST	EV	PEBBLESTONE CLAY	PC	NX SIERRA CLAY	SI
ALMOND	AL	CHARCOAL GREY	CG	EVERGREEN	EG	PG METALLIC	M3	TERRA BRONZE	TB
ANTIQUE IVORY	AI	CLASSIC CREAM	CC	HARBOR GREY	HG	REDWOOD	RW	TUXEDO GREY	TX
BEAVER BROWN	BB	COPPER PENNY	CP	HARVEST BROWN	HV	ROYAL BROWN	RB	VICTORIAN GREY	VG
BLACK	BK	COUNTRY BLUE	CU	HERRINGBONE	HN	*RUSTIC COPPER	M2	VILLAGE GREEN	VI
BRONZE	BZ	DESERT SAND	DS	LINEN	LI	NX SAND STONE	SS	WHITE	WH
BROOKSTONE	BS			MUSKET BROWN	MB	SANDTONE	ST	80 WHITE	80
BUCKSKIN	BU							WICKER	WI

*Rustic Copper is a PREMIUM color. NOTE: Rustic Copper (M2) accessories, including miters and end caps, may display paint finish variations due to the metallic painting process, which may affect matching components.



NORANDEX™ Variable Degree Elbows

HOUSTON PLANT

Variable Degree Elbows

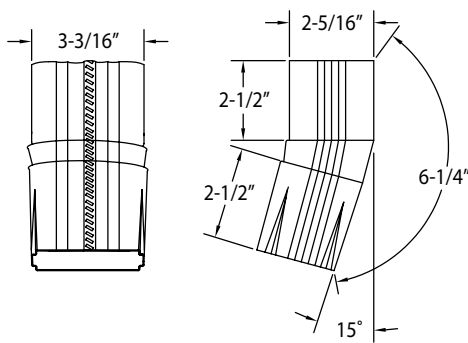
This chart shows the roof pitch paired to the approximate variable degree elbow.

ROOF PITCH	DEGREE
Mansard	15°
18/12	22°
16/12	22°
14/12	22°
12/12	30°
10/12	45°
8/12	45°
6/12	45°
4/12	75°

Variable degree elbows are used to go around obstructions (ledge jumpers) or transition to the slope of the roof.

Part #	Description	Colors	Nom. Gauge/ Thickness	Piece Length	Pieces/ Box	Boxes/ Pallet
AAE2223 - -	Aluminum 2 x 3 A's 22° Var. Deg. Elbow	(Listed Below)	0.019	6-3/4"	30	16
AAE2234 - -	Aluminum 3 x 4 A's 22° Var. Deg. Elbow	(Listed Below)	0.019		30	16
AAE334 - -	Aluminum 3 x 4 A's 30° Var. Deg. Elbow	(Listed Below)	0.019		30	16
AAE434 - -	Aluminum 3 x 4 A's 45° Var. Deg. Elbow	(Listed Below)	0.019		30	16
ABE2223 - -	Aluminum 2 x 3 B's 22° Var. Deg. Elbow	(Listed Below)	0.019	6-3/4"	30	16
ABE2234 - -	Aluminum 3 x 4 B's 22° Var. Deg. Elbow	(Listed Below)	0.019		30	16
ABE334 - -	Aluminum 3 x 4 B's 30° Var. Deg. Elbow	(Listed Below)	0.019		30	16
ABE434 - -	Aluminum 3 x 4 B's 45° Var. Deg. Elbow	(Listed Below)	0.019		30	16

AAE123 A-Elbow



Conductor Heads

Part #	Description	Colors	Nom. Gauge/ Thickness	Pieces/ Box
ACH3 - -	Aluminum 3" Conductor Head	RB, WH	0.019	4



ACH3

Rainware & Accessories Colors

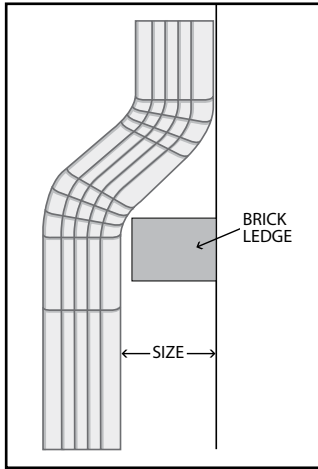
COLOR	CODE	COLOR	CODE	COLOR	CODE	COLOR	CODE	COLOR	CODE
NX ALMOND	AD	BUCKSKIN	BU	DESERT SAND	DS	MUSKET BROWN	MB	TERRA BRONZE	TB
ALMOND	AL	CAMEO	CA	EVEREST	EV	PEBBLESTONE CLAY	PC	TUXEDO GREY	TX
ANTIQUÉ IVORY	AI	CHARCOAL GREY	CG	EVERGREEN	EG	REDWOOD	RW	VICTORIAN GREY	VG
BEAVER BROWN	BB	CLASSIC CREAM	CC	HARBOR GREY	HG	ROYAL BROWN	RB	VILLAGE GREEN	VI
BLACK	BK	COPPER PENNY	CP	HERRINGBONE	HN	SANDTONE	ST	WHITE	WH
BRONZE	BZ	COUNTRY BLUE	CU	LINEN	LI	NX SIERRA CLAY	SI	80 WHITE	80
BROOKSTONE	BS							WICKER	WI



NORANDEX™ Offsets

HOUSTON PLANT

Offsets

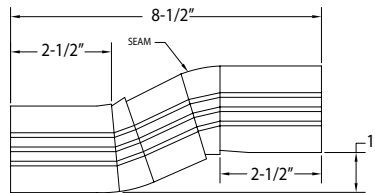


We have several varieties of offset downspout connections to transition gracefully over a brick ledge. You can eliminate the awkward look of a two-piece configuration with our choice of 1" to 6" away-from-the-wall options.

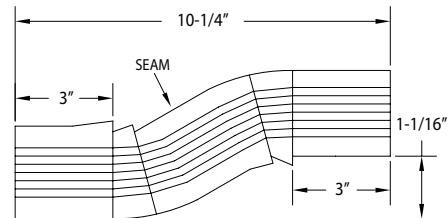
Part #	Description	Colors	Nom. Gauge/Thickness	Pieces/Box
ABO1123A	Aluminum 2 x 3 - 1" A's Offset	(Listed Below)	0.019	24
ABO1123AM2	Aluminum 2 x 3 - 1" A's Offset	M2 (Premium Color)	0.019	24
ABO1223A	Aluminum 2 x 3 - 2" A's Offset	(Listed Below)	0.019	24
ABO1223AM2	Aluminum 2 x 3 - 2" A's Offset	M2 (Premium Color)	0.019	24
ABO1323A	Aluminum 2 x 3 - 3" A's Offset	(Listed Below)	0.019	24
ABO1323AM2	Aluminum 2 x 3 - 3" A's Offset	M2 (Premium Color)	0.019	24
ABO1423A	Aluminum 2 x 3 - 4" A's Offset	(Listed Below)	0.019	20
ABO1423AM2	Aluminum 2 x 3 - 4" A's Offset	M2 (Premium Color)	0.019	20
ABO1523A	Aluminum 2 x 3 - 5" A's Offset	(Listed Below)	0.019	20
ABO1623A	Aluminum 2 x 3 - 6" A's Offset	(Listed Below)	0.019	20
ABO1134A	Aluminum 3 x 4 - 1" A's Offset	(Listed Below)	0.019	24
ABO1134AM2	Aluminum 3 x 4 - 1" A's Offset	M2 (Premium Color)	0.019	24
ABO1234A	Aluminum 3 x 4 - 2" A's Offset	(Listed Below)	0.019	24
ABO1234AM2	Aluminum 3 x 4 - 2" A's Offset	M2 (Premium Color)	0.019	24
ABO1334A	Aluminum 3 x 4 - 3" A's Offset	(Listed Below)	0.019	24
ABO1334AM2	Aluminum 3 x 4 - 3" A's Offset	M2 (Premium Color)	0.019	24
ABO1434A	Aluminum 3 x 4 - 4" A's Offset	(Listed Below)	0.019	20
ABO1434AM2	Aluminum 3 x 4 - 4" A's Offset	M2 (Premium Color)	0.019	20
ABO1534A	Aluminum 3 x 4 - 5" A's Offset	(Listed Below)	0.019	20
ABO1634A	Aluminum 3 x 4 - 6" A's Offset	(Listed Below)	0.019	20
ABO1634AM2	Aluminum 3 x 4 - 6" A's Offset	M2 (Premium Color)	0.019	20
ABO1445A	Aluminum 4 x 5 - 4" A's	AL, AI, BK, BZ, CC, MB, RB, ST, SI, TB, WH, 80, WI	0.027	9
ABO2A23A	Alum. 2 x 3 Two-Pc. Adj. 45° Offset	(Listed Below)	0.019	18 pcs./9 sets
ABO2A34A	Alum. 3 x 4 Two-Pc. Adj. 45° Offset	(Listed Below)	0.019	18 pcs./9 sets

All "A" Offsets also available in "B" profiles.
NOTE: Rustic Copper (M2) available only in parts specified.

ABO1123A A-Offset



ABO1134A A-Offset



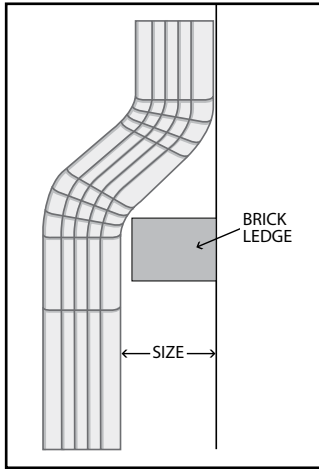
Rainware & Accessories Colors

COLOR	CODE	COLOR	CODE	COLOR	CODE	COLOR	CODE	COLOR	CODE
NX ALMOND	AD	CAMEO	CA	EVEREST	EV	PEBBLESTONE CLAY	PC	NX SIERRA CLAY	SI
ALMOND	AL	CHARCOAL GREY	CG	EVERGREEN	EG	PG METALLIC	M3	TERRA BRONZE	TB
ANTIQUÉ IVORY	AI	CLASSIC CREAM	CC	HARBOR GREY	HG	REDWOOD	RW	TUXEDO GREY	TX
BEAVER BROWN	BB	COPPER PENNY	CP	HERRINGBONE	HN	ROYAL BROWN	RB	VICTORIAN GREY	VG
BLACK	BK	COUNTRY BLUE	CU	LINEN	LI	*RUSTIC COPPER	M2	VILLAGE GREEN	VI
BRONZE	BZ	DESERT SAND	DS	MUSKET BROWN	MB	SANDTONE	ST	WHITE	WH
BROOKSTONE	BS							80 WHITE	80
BUCKSKIN	BU							WICKER	WI

*Rustic Copper is a PREMIUM color. **NOTE:** Rustic Copper (M2) accessories, including miters and end caps, may display paint finish variations due to the metallic painting process, which may affect matching components.



Offsets *cont.*

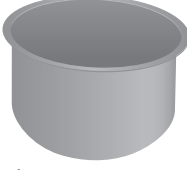
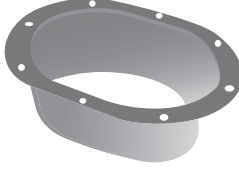


Part #	Description	Colors	Nom. Gauge/ Thickness	Pieces/ Box
LBO1123A	Galvalume 2 x 3 - 1" A's Offset	Mill	26 ga	24
LBO1223A	Galvalume 2 x 3 - 2" A's Offset	Mill	26 ga	24
LBO1323A	Galvalume 2 x 3 - 3" A's Offset	Mill	26 ga	24
LBO1423A	Galvalume 2 x 3 - 4" A's Offset	Mill	26 ga	20
LBO1623A	Galvalume 2 x 3 - 6" A's Offset	Mill	26 ga	20
LBO1134A	Galvalume 3 x 4 - 1" A's Offset	Mill	26 ga	24
LBO1234A	Galvalume 3 x 4 - 2" A's Offset	Mill	26 ga	24
LBO1334A	Galvalume 3 x 4 - 3" A's Offset	Mill	26 ga	24
LBO1434A	Galvalume 3 x 4 - 4" A's Offset	Mill	26 ga	20
LBO1634A	Galvalume 3 x 4 - 6" A's Offset	Mill	26 ga	20
CBO1123A	Copper 2 x 3 - 1" A's Offset	Copper	16 oz	Order by the pc.
CBO1223A	Copper 2 x 3 - 2" A's Offset	Copper	16 oz	Order by the pc.
CBO1423A	Copper 2 x 3 - 4" A's Offset	Copper	16 oz	Order by the pc.
CBO1523A	Copper 2 x 3 - 5" A's Offset	Copper	16 oz	Order by the pc.
CBO1134A	Copper 3 x 4 - 1" A's Offset	Copper	16 oz	Order by the pc.
CBO1234A	Copper 3 x 4 - 2" A's Offset	Copper	16 oz	Order by the pc.
CBO1334A	Copper 3 x 4 - 3" A's Offset	Copper	16 oz	Order by the pc.
CBO1434A	Copper 3 x 4 - 4" A's Offset	Copper	16 oz	Order by the pc.
CBO1534A	Copper 3 x 4 - 5" A's Offset	Copper	16 oz	Order by the pc.
CBO1634A	Copper 3 x 4 - 6" A's Offset	Copper	16 oz	Order by the pc.
CBO234	Copper 3 x 4 - 2" Offset	Copper	16 oz	Order by the pc.




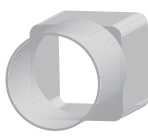

NORANDEX™ Downspout Accessories

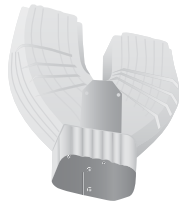
HOUSTON PLANT

Outlets		Part #	Description	Colors	Nom. Gauge/ Thickness	Pieces/ Box	
Round Outlet 		AORE23ML	Aluminum 2 x 3 Rectangle Outlet	*	0.019	30	
		AORE34ML	Aluminum 3 x 4 Rectangle Outlet	*	0.019	50	
		AORE45ML	Aluminum 4 x 5 Rectangle Outlet	*	0.019	50	
		AORO238ML	Aluminum 2-3/8" Round Outlet	*	0.019	250	
		AORO234ML	Aluminum 2-3/4" Round Narrow Flange Outlet	*	0.019	250	
		AORO338ML	Aluminum 3-3/8" Round Outlet	*	0.019	250	
	Oval Outlet 		AOOV23ML	Aluminum 2 x 3 Oval Outlet	*	0.019	30
			AOOV34ML	Aluminum 3 x 4 Oval Outlet	*	0.019	50
			AOOV45ML	Aluminum 4 x 5 Oval Outlet	*	0.019	12
			AOOVN34ML	Alum. 3 x 4 Oval Narrow Flange Outlet	*	0.019	50
		GOOV23	Galvanized 2 x 3 Oval Outlet	Mill	28 ga	Order by the pc.	
		GOOV34	Galvanized 3 x 4 Oval Outlet	Mill	28 ga	Order by the pc.	
		GOOV4ML	Galvanized 4" Oval Drop Outlet	Mill	28 ga	Order by the pc.	
	CORE23	Copper 2 x 3 Rectangle Outlet	Copper	16 oz	Order by the pc.		
	CORE34	Copper 3 x 4 Rectangle Outlet	Copper	16 oz	Order by the pc.		
	CORO238	Copper 2-3/8" Round Outlet	Copper	16 oz	Order by the pc.		
	CORO234	Copper 2-3/4" Round Outlet	Copper	16 oz	Order by the pc.		
	COOV34	Copper 4" Oval Outlet	Copper	16 oz	Order by the pc.		

***NOTE:** Aluminum outlets made with mill or painted finish per manufacturer's discretion.

Wire Strainers		Part #	Description	Colors	Pieces/ Box
		GWS3	Gavanized 3" Wire Strainer	Mill	50
		GWS4	Gavanized 4" Wire Strainer	Mill	50

Drain Tile Adapters		Part #	Description	Colors	Pieces/ Box
APVC234 	DTA344 	APVC234WH	PVC 2 x 3 x 4 Flush Mount Adapter	WH	22
		APVC344WH	PVC 3 x 4 x 4 Flush Mount Adapter	WH	24
		DTA234 - -	High Density Polyethylene 2x3 Adapter	BK	12
		DTA344 - -	High Density Polyethylene 3x4 Adapter	BK, WH	24

Y Adapters		Part #	Description	Colors	Nom. Gauge/ Thickness	Pieces/ Box
		AYA23 - -	Aluminum 2 x 3 Y Adapter	RB, WH	0.019	12
		AYA34 - -	Aluminum 3 x 4 Y Adapter	RB, WH	0.019	10

Rainware & Accessories Colors

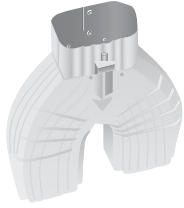
COLOR	CODE	COLOR	CODE	COLOR	CODE
BLACK	BK	ROYAL BROWN	RB	WHITE	WH



NORANDEX™ Downspout Accessories

HOUSTON PLANT

Y Diverters



Part #	Description	Colors	Nom. Gauge/ Thickness	Pieces/ Box
AYD23WH	Aluminum 2 x 3 Y Diverter	WH	0.019	10
AYD34WH	Aluminum 3 x 4 Y Diverter	WH	0.019	10
AYD34WHCO	Aluminum 3 x 4 Y Cut Off Diverter	WH	0.019	10

Downspout Bands



Part #	Description	Colors	Nom. Gauge/ Thickness	Pieces/ Box
ADSPB34 - -	Universal Downspout Band	(Listed Below)	0.019	100
ADSPB34M2	Universal Downspout Band	M2 (Premium Color)	0.019	100
CDSPB34	Copper 3 x 4 Downspout Band	Copper	16 oz	Order by the pc.

Downspout Clips



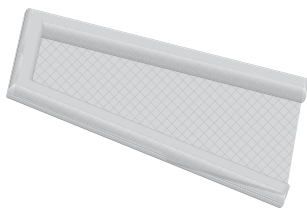
Part #	Description	Colors	Nom. Gauge/ Thickness	Pieces/ Box
ADSCP23 - -	Aluminum 2 x 3 Downspout Clip	(Listed Below)	0.032	100
ADSCP34 - -	Aluminum 3 x 4 Downspout Clip	(Listed Below)	0.032	50
ADSCP34M2	Aluminum 3 x 4 Downspout Clip	M2 (Premium Color)	0.032	50
CDSCP23	Copper 2 x 3 Downspout Clip	Copper	16 oz	Order by the pc.

Downspout Hinges



Part #	Description	Colors	Pairs/ Bag	Bags/ Box	Pieces/ Box
AZHWH	Aluminum 2 x 3 / 3 x 4 Zip Hinge	WH	12 pairs	20	240 pairs
GDHA23WH	Galvanized 2 x 3 A Hinge	WH			12
GDHA34WH	Galvanized 3 x 4 A Hinge	WH			12
GDHB34WH	Galvanized 3 x 4 B Hinge	WH			12

Splash Blocks



Part #	Description	Piece Length	Pieces/ Box
SBC	Concrete 20" L x 10" W Splash Block	20"	Order by the pc.

Rainware & Accessories Colors

COLOR	CODE	COLOR	CODE	COLOR	CODE	COLOR	CODE	COLOR	CODE
NX ALMOND	AD	CAMEO	CA	EVEREST	EV	PEBBLESTONE CLAY	PC	NX SIERRA CLAY	SI
ALMOND	AL	CHARCOAL GREY	CG	EVERGREEN	EG	PG METALLIC	M3	TERRA BRONZE	TB
ANTIQUÉ IVORY	AI	CLASSIC CREAM	CC	HARBOR GREY	HG	REDWOOD	RW	TUXEDO GREY	TX
BEAVER BROWN	BB	COPPER PENNY	CP	HERRINGBONE	HN	ROYAL BROWN	RB	VICTORIAN GREY	VG
BLACK	BK	COUNTRY BLUE	CU	LINEN	LI	*RUSTIC COPPER	M2	VILLAGE GREEN	VI
BRONZE	BZ	DESERT SAND	DS	MUSKET BROWN	MB	SANDTONE	ST	WHITE	WH
BROOKSTONE	BS							80 WHITE	80
BUCKSKIN	BU							WICKER	WI

*Rustic Copper is a PREMIUM color. NOTE: Rustic Copper (M2) accessories, including miters and end caps, may display paint finish variations due to the metallic painting process, which may affect matching components.

Box Mitters		Part #	Description	Colors	Nom. Gauge/ Thickness	Pieces/ Box
<p>Box Miter Inside</p> <p>Box Miter Outside</p>	ABM5I - -	Aluminum 5" Inside Box Miter	(Listed Below)	0.019	20	
	ABM5IM2	Aluminum 5" Inside Box Miter	M2 (Premium Color)	0.019	20	
	ABM5O - -	Aluminum 5" Outside Box Miter	(Listed Below)	0.019	20	
	ABM5OM2	Aluminum 5" Outside Box Miter	M2 (Premium Color)	0.019	20	
	ABM6I - -	Aluminum 6" Inside Box Miter	(Listed Below)	0.019	20	
	ABM6IM2	Aluminum 6" Inside Box Miter	M2 (Premium Color)	0.019	20	
	ABM6O - -	Aluminum 6" Outside Box Miter	(Listed Below)	0.019	20	
	ABM6OM2	Aluminum 6" Outside Box Miter	M2 (Premium Color)	0.019	20	
	CBM6I	Copper 6" Inside Box Miter	Copper	16 oz	Order by the pc.	
	CBM6O	Copper 6" Outside Box Miter	Copper	16 oz	Order by the pc.	

Bay Mitters		Part #	Description	Colors	Nom. Gauge/ Thickness	Pieces/ Box
<p>Bay Mitters 45° Inside</p> <p>Bay Mitters 45° Outside</p>	ABY5I - -	Aluminum 5" Inside Bay Miter	(Listed Below)	0.019	20	
	ABY5IM2	Aluminum 5" Inside Bay Miter	M2 (Premium Color)	0.019	20	
	ABY5O - -	Aluminum 5" Outside Bay Miter	(Listed Below)	0.019	20	
	ABY5OM2	Aluminum 5" Outside Bay Miter	M2 (Premium Color)	0.019	20	
	ABY6I - -	Aluminum 6" Inside Bay Miter	(Listed Below)	0.019	20	
	ABY6IM2	Aluminum 6" Inside Bay Miter	M2 (Premium Color)	0.019	20	
	ABY6O - -	Aluminum 6" Outside Bay Miter	(Listed Below)	0.019	20	
	ABY6OM2	Aluminum 6" Outside Bay Miter	M2 (Premium Color)	0.019	20	
	LBY5I	Galvalume 5" Inside Bay Miter	Mill	26 ga	20	
	LBY5O	Galvalume 5" Outside Bay Miter	Mill	26 ga	20	
	LBY6I	Galvalume 6" Inside Bay Miter	Mill	26 ga	20	
	LBY6O	Galvalume 6" Outside Bay Miter	Mill	26 ga	20	
	CBY5I	Copper 5" Inside Bay Miter	Copper	16 oz	Order by the pc.	
	CBY5O	Copper 5" Outside Bay Miter	Copper	16 oz	Order by the pc.	
	CBY6I	Copper 6" Inside Bay Miter	Copper	16 oz	Order by the pc.	
	CBY6O	Copper 6" Outside Bay Miter	Copper	16 oz	Order by the pc.	

Strip Mitters		Part #	Description	Colors	Nom. Gauge/ Thickness	Pieces/ Box
<p>Strip Mitters 90° Inside</p> <p>Strip Mitters 90° Outside</p>	ASM5I - -	Aluminum 5" Inside Strip Miter	(Listed Below)	0.027	20	
	ASM5IM2	Aluminum 5" Inside Strip Miter	M2 (Premium Color)	0.027	20	
	ASM5O - -	Aluminum 5" Outside Strip Miter	(Listed Below)	0.027	20	
	ASM5OM2	Aluminum 5" Outside Strip Miter	M2 (Premium Color)	0.027	20	
	ASM6I - -	Aluminum 6" Inside Strip Miter	(Listed Below)	0.027	20	
	ASM6IM2	Aluminum 6" Inside Strip Miter	M2 (Premium Color)	0.027	20	
	ASM6O - -	Aluminum 6" Outside Strip Miter	(Listed Below)	0.027	20	
	ASM6OM2	Aluminum 6" Outside Strip Miter	M2 (Premium Color)	0.027	20	
	LSM5I	Galvalume 5" Inside Strip Miter	Mill	26 ga	20	
	LSM5O	Galvalume 5" Outside Strip Miter	Mill	26 ga	20	
	LSM6I	Galvalume 6" Inside Strip Miter	Mill	26 ga	20	
	LSM6O	Galvalume 6" Outside Strip Miter	Mill	26 ga	20	
	CSM5I	Copper 5" Inside Strip Miter		16 oz	Order by the pc.	
	CSM5O	Copper 5" Outside Strip Miter		16 oz	Order by the pc.	
	CSM6I	Copper 6" Inside Strip Miter		16 oz	Order by the pc.	
	CSM6O	Copper 6" Outside Strip Miter		16 oz	Order by the pc.	


Rainware & Accessories Colors

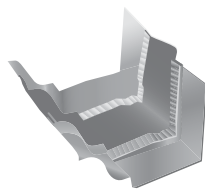
COLOR	CODE	COLOR	CODE	COLOR	CODE	COLOR	CODE	COLOR	CODE
NX ALMOND	AD	CAMEO	CA	EVEREST	EV	PEBBLESTONE CLAY	PC	NX SIERRA CLAY	SI
ALMOND	AL	CHARCOAL GREY	CG	EVERGREEN	EG	PG METALLIC	M3	TERRA BRONZE	TB
ANTIQUÉ IVORY	AI	CLASSIC CREAM	CC	HARBOR GREY	HG	REDWOOD	RW	TUXEDO GREY	TX
BEAVER BROWN	BB	COPPER PENNY	CP	HARVEST BROWN	HV	ROYAL BROWN	RB	VICTORIAN GREY	VG
BLACK	BK	COUNTRY BLUE	CU	HERRINGBONE	HN	*RUSTIC COPPER	M2	VILLAGE GREEN	VI
BRONZE	BZ	DESERT SAND	DS	LINEN	LI	SANDTONE	ST	WHITE	WH
BROOKSTONE	BS			MUSKET BROWN	MB			80 WHITE	80
BUCKSKIN	BU							WICKER	WI

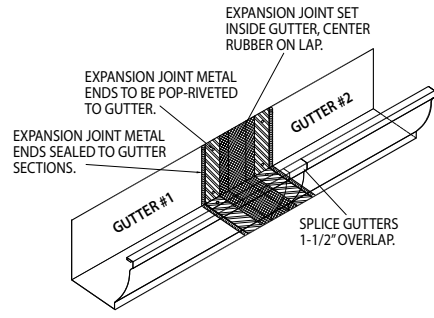
*Rustic Copper is a PREMIUM color. NOTE: Rustic Copper (M2) accessories, including mitters and end caps, may display paint finish variations due to the metallic painting process, which may affect matching components.




NORANDEX™ Extreme Miter, Joints & End Caps HOUSTON PLANT

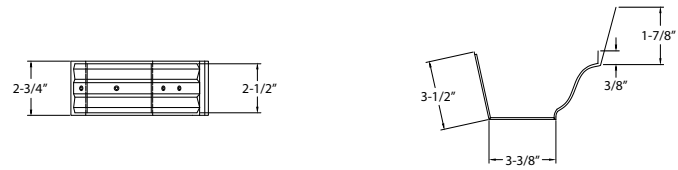
Extreme Miter™	Part #	Description	Colors	Nom. Gauge/ Thickness	Pieces/ Box
	AEM5 - -	Aluminum 5" Extreme Miter™	80, WH, RB	0.019	10
	AEM6WH	Aluminum 6" Extreme Miter™	WH	0.019	10

Expansion Joints	Part #	Description	Colors	Nom. Gauge/ Thickness	Pieces/ Box
	AEJ5ML	Aluminum 5" Expansion Joint	Mill	0.030	12
	AEJ6ML	Aluminum 6" Expansion Joint	Mill	0.030	12



A 50' section of gutter can potentially expand almost 2/3 of an inch from winter to summer causing gutters to buckle. Expansion joints are a preventive measure for excessive movement in the gutter, and should be mounted in place every 50' of exceptionally long gutter runs.

Slip Joints	Part #	Description	Colors	Nom. Gauge/ Thickness	Pieces/ Box
	ASJCS - -	Aluminum 5" Slip Joint	RB, WH	0.019	50



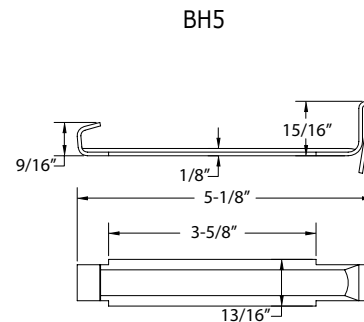
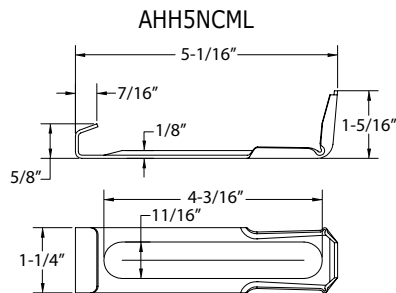
End Caps	Part #	Description	Colors	Nom. Gauge/ Thickness	Piece Length	Pieces/ Box
 	AEC5L - -	Aluminum 5" Left End Cap - K-Style	(Listed Below)	0.019	5"	50
	AEC5LM2	Aluminum 5" Left End Cap - K-Style	M2 (Premium Color)	0.019	5"	50
	AEC5R - -	Aluminum 5" Right End Cap - K-Style	(Listed Below)	0.019	5"	50
	AEC5RM2	Aluminum 5" Right End Cap - K-Style	M2 (Premium Color)	0.019	5"	50
	AEC6L - -	Aluminum 6" Left End Cap - K-Style	(Listed Below)	0.019	6"	50
	AEC6LM2	Aluminum 6" Left End Cap - K-Style	M2 (Premium Color)	0.019	6"	50
	AEC6R - -	Aluminum 6" Right End Cap - K-Style	(Listed Below)	0.019	6"	50
	AEC6RM2	Aluminum 6" Right End Cap - K-Style	M2 (Premium Color)	0.019	6"	50
	LEC5L	Galvalume 5" Left End Cap - K-Style	Mill	26 ga	5"	50
	LEC5R	Galvalume 5" Right End Cap - K-Style	Mill	26 ga	5"	50
	LEC6L	Galvalume 6" Left End Cap - K-Style	Mill	26 ga	6"	50
	LEC6R	Galvalume 6" Right End Cap - K-Style	Mill	26 ga	6"	50
CEC5L	Copper 5" Left End Cap - K-Style	Copper	16 oz	5"	Order by the pc.	
CEC5R	Copper 5" Right End Cap - K-Style	Copper	16 oz	5"	Order by the pc.	
CEC6L	Copper 6" Left End Cap - K-Style	Copper	16 oz	6"	Order by the pc.	
CEC6R	Copper 6" Right End Cap - K-Style	Copper	16 oz	6"	Order by the pc.	

Rainware & Accessories Colors

COLOR	CODE	COLOR	CODE	COLOR	CODE	COLOR	CODE	COLOR	CODE
NX ALMOND	AD	CAMEO	CA	EVEREST	EV	PEBBLESTONE CLAY	PC	NX SIERRA CLAY	SI
ALMOND	AL	CHARCOAL GREY	CG	EVERGREEN	EG	PG METALLIC	M3	TERRA BRONZE	TB
ANTIQUÉ IVORY	AI	CLASSIC CREAM	CC	HARBOR GREY	HG	REDWOOD	RW	TUXEDO GREY	TX
BEAVER BROWN	BB	COPPER PENNY	CP	HARVEST BROWN	HV	ROYAL BROWN	RB	VICTORIAN GREY	VG
BLACK	BK	COUNTRY BLUE	CU	HERRINGBONE	HN	*RUSTIC COPPER	M2	VILLAGE GREEN	VI
BRONZE	BZ	DESERT SAND	DS	LINEN	LI	SANDTONE	ST	WHITE	WH
BROOKSTONE	BS			MUSKET BROWN	MB			80 WHITE	80
BUCKSKIN	BU							WICKER	WI

*Rustic Copper is a PREMIUM color. NOTE: Rustic Copper (M2) accessories, including miters and end caps, may display paint finish variations due to the metallic painting process, which may affect matching components.

Hangers	Part #	Description	Colors	Nom. Gauge/ Thickness	Piece Length	Pieces/ Box
Hidden						
AHH5NCML	AHH5NCML	Aluminum 5" Backless Std. Bar Hanger	Mill	0.060	5-1/16"	400
	AHHWF5ML	Aluminum 5" Flanged Hanger with Clip	Mill	0.060	5"	250
AHHWF5ML	AHT5CML	Aluminum 5" Hangtite Hanger with Clip	Mill	0.060	5"	1,000
	AHT5ML	Aluminum 5" Hangtite Hanger without Clip	Mill	0.060	5"	1,000
	AHU51ML	Aluminum 5" Ultra Hanger without Clip	Mill	0.048	5"	100
	AHU5ML	Aluminum 5" Ultra Hanger without Clip	Mill	0.048	5"	1000
AHT5CML	AHU51CML	Aluminum 5" Ultra Hanger with Clip	Mill	0.048	5"	100
	AHU5CML	Aluminum 5" Ultra Hanger with Clip	Mill	0.048	5"	1000
	ABH6ML	Aluminum 6" Backless Std. Bar Hanger	Mill	0.060	6-1/8"	750
ABH6ML	AHHWF6ML	Aluminum 6" Flanged Hanger with Clip	Mill	0.060	6"	250
	AHT6CML	Aluminum 6" Hangtite Hanger with Clip	Mill	0.060	6"	1,000
	AHT6ML	Aluminum 6" Hangtite Hanger without Clip	Mill	0.060	6"	1,000
	AHU61ML	Aluminum 6" Ultra Hanger without Clip	Mill	0.048	6"	100
	AHU6ML	Aluminum 6" Ultra Hanger without Clip	Mill	0.048	6"	1000
	AHU61CML	Aluminum 6" Ultra Hanger with Clip	Mill	0.048	6"	100
	AHU6CML	Aluminum 6" Ultra Hanger with Clip	Mill	0.048	6"	800
		GHT5CML	Galvalume 5" Hangtite Hanger with Clip	Mill	26 ga	5"
	GBH6ML	Galvalume 6" Backless Hanger	Mill	26 ga	6"	100
	GHT6CML	Galvalume 6" Hangtite Hanger with Clip	Mill	26 ga	6"	100
CH5	CH5	Copper 5" Hook Hanger	Copper	16 oz	5"	Order by the pc.
	CH6	Copper 6" Hook Hanger	Copper	16 oz	6"	Order by the pc.
BH5	BH5	Brass 5" Hanger with Clip	Brass	0.115	5-1/8"	250
	BH6	Brass 6" Hanger with Clip	Brass	0.115	6-3/16"	150
	BHH6	Brass 6" Hook Hanger	Brass	0.115	6"	100



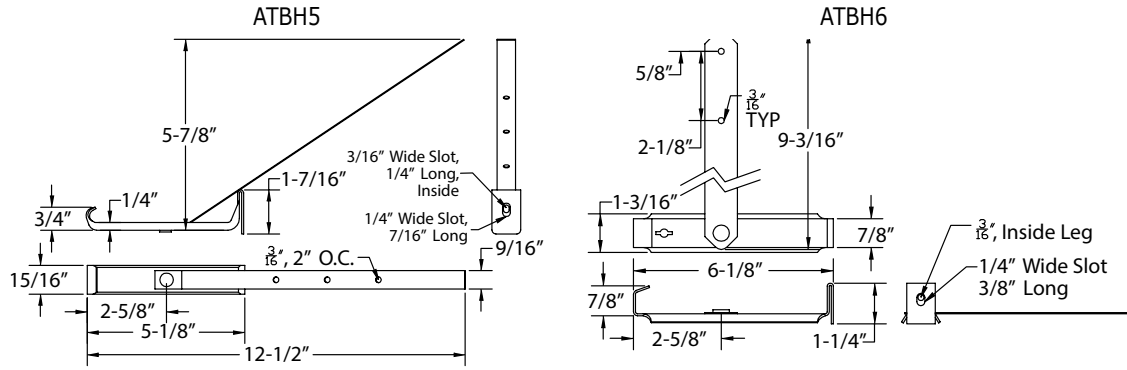


NORANDEX™ Hangers

HOUSTON PLANT

Hangers cont.

Part #	Description	Colors	Nom. Gauge/ Thickness	Piece Length	Pieces/ Box
T-Bar					
ATBH5 - -	Aluminum 5" T-Bar Painted Strap	RB, WH	0.060	12-1/2"	100
ATBH5ML	Aluminum 5" T-Bar Painted Strap	Mill	0.060	12-1/2"	100
ATBH6 - -	Aluminum 6" T-Bar Painted Strap	RB, WH	0.060	6-1/8"	50
ATBH6ML	Aluminum 6" T-Bar Painted Strap	Mill	0.060	6-1/8"	50

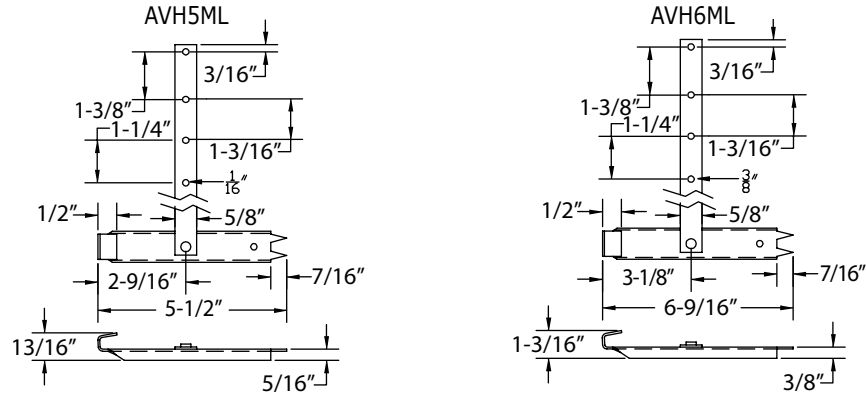


Vampire

AVH5ML	Aluminum 5" Vampire Hanger	Mill	0.060	5-1/2"	100
AVH6ML	Aluminum 6" Vampire Hanger	Mill	0.060	6-9/16"	100



Note: Proper installation requires the use of a Vampire Hanger tool manufactured by "Malco".



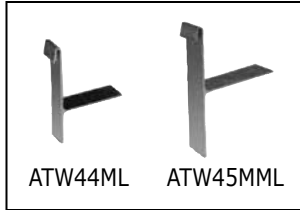
Rainware & Accessories Colors

COLOR	CODE	COLOR	CODE
ROYAL BROWN	RB	WHITE	WH



NORANDEX™ Hangers

HOUSTON PLANT

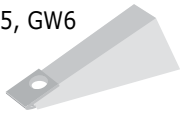
T-Wedge

Part #	Description	Colors	Nom. Gauge/ Thickness	Pieces/ Bag
ATW44ML	Aluminum 5" T-Wedge 4400	Mill	0.070	50
ATW45MML	Aluminum 5"-6" T-Wedge 4500	Mill	0.070	50

A T-Wedge can be adjusted to keep the gutter level at various fascia board angles.

Gutter Wedges

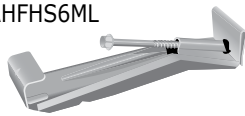
GW5, GW6



Part #	Description	Colors	Nom. Gauge/ Thickness	Pieces/ Box
GW5 - -	Aluminum 5" Gutter Wedge	RB, WH	0.027	100
GW6 - -	Aluminum 6" Gutter Wedge	RB, WH	0.027	50

Hangers with Screws

AHFHS6ML



Part #	Description	Colors	Nom. Gauge/ Thickness	Piece Length	Pieces/ Box
AHF55CS	Alum. 5" Hang Fast Hanger w/Screw & Clip	Mill	0.060	5"	500
AHFHS6ML	Alum. 6" Hangtite Hidden Hanger w/Screw	Mill	0.060	6"	300
AHUTS5CML	Alum. 5" Ultimate Hidden Hanger w/Screw & Clip	Mill	0.061	5"	400
AHUTS6CML	Alum. 6" Ultimate Hidden Hanger w/Screw & Clip	Mill	0.061	6"	300

Rainware & Accessories Colors

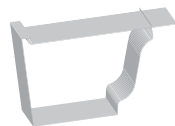
COLOR	CODE	COLOR	CODE
ROYAL BROWN	RB	WHITE	WH



NORANDEX™ Rainware Accessories

HOUSTON PLANT

Fascia Brackets



Part #	Description	Colors	Nom. Gauge/ Thickness	Pieces/ Box
AFBH5 - -	Aluminum 5" Fascia Bracket	RB, WH, 80	0.060	100

Rainware & Accessories Colors

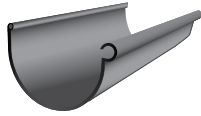
COLOR	CODE	COLOR	CODE	COLOR	CODE
ROYAL BROWN	RB	WHITE	WH	WHITE 80	80



NORANDEX™ Round & Half Round Products

HOUSTON PLANT

Half Round Gutters



Part #	Description	Colors	Nom. Gauge/ Thickness	Piece Length	Pieces/ Box	Boxes/ Pallet
AGUH610 - -	Alum. 6" Reverse Bead 10' Sections	(Listed Below)	0.027	10'	5	16
AGUH610M2	Alum. 6" Reverse Bead 10' Sections	M2 (Premium Color)	0.027	10'	5	16
AGUH620 - -	Alum. 6" Reverse Bead 20' Sections	(Listed Below)	0.027	20'	5	16
AGUH620M2	Alum. 6" Reverse Bead 20' Sections	M2 (Premium Color)	0.027	20'	5	16
LGUH610	Glum. 6" Reverse Bead 10' Sections	Mill	26 ga	10'	5	16
LGUH620	Glum. 6" Reverse Bead 20' Sections	Mill	26 ga	20'	5	16
CGUH610	Copper 6" Reverse Bead 10' Sections	Copper	16 oz	10'	5	
CGUH620	Copper 6" Reverse Bead 20' Sections	Copper	16 oz	20'	5	

Sold in 5-count cartons only.

Round Downspouts



Part #	Description	Colors	Nom. Gauge/ Thickness	Piece Length	Pieces/ Box	Boxes/ Pallet
ADSR310 - -	Alum. 3" Round x 10', Smooth	(Listed Below)	0.019	10'	5	30
ADSR310M2	Alum. 3" Round x 10', Smooth	M2 (Premium Color)	0.019	10'	5	30
ADSR410 - -	Alum. 4" Round x 10', Smooth	(Listed Below)	0.019	10'	5	20
ADSR410M2	Alum. 4" Round x 10', Smooth	M2 (Premium Color)	0.019	10'	5	20
GDSR410 - -	Galv. 4" Round x 10'	(Listed Below)	26 ga	10'	5	30
GDSR410ML	Galv. 4" Round x 10'	Mill	26 ga	10'	5	30
LDSR310	Glum. 3" Round x 10', Plain	Mill	26 ga	10'	5	28
LDSR410	Glum. 4" Round x 10', Plain	Mill	26 ga	10'	5	28
CDSR310	Copper 3" Round x 10', Smooth	Copper	16 oz	10'	Order by the pc.	
CDSR410	Copper 4" Round x 10', Smooth	Copper	16 oz	10'	Order by the pc.	

Rainware & Accessories Aluminum Colors

COLOR	CODE	COLOR	CODE	COLOR	CODE	COLOR	CODE	COLOR	CODE
ALMOND	AL	CAMEO	CA	MUSKET BROWN	MB	RUSTIC COPPER	M2	VICTORIAN GREY	VG
BEAVER BROWN	BB	CHARCOAL GREY	CG	PEBBLESTONE CLAY	PC	SANDTONE	ST	WICKER	WI
BLACK	BK	CLASSIC CREAM	CC	PG METALLIC	M3	NX SIERRA CLAY	SI	30 WHITE	WH
BRONZE	BZ	COPPER PENNY	CP	ROYAL BROWN	RB	TERRA BRONZE	TB	80 WHITE	80
BUCKSKIN	BU	HARBOR GREY	HG						

■ Stocked half-round colors. Balance of colors available with extended lead-time.

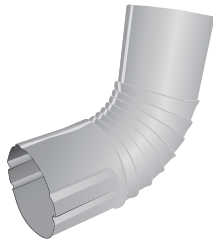
*Rustic Copper is a PREMIUM color. NOTE: Rustic Copper (M2) accessories, including miters and end caps, may display paint finish variations due to the metallic painting process, which may affect matching components.

Rainware Steel Colors:

COLOR	CODE	COLOR	CODE	COLOR	CODE	COLOR	CODE	COLOR	CODE
BEAVER BROWN	BB	CLASSIC CREAM	CC	EVERGREEN	EG	PEBBLESTONE CLAY	PC	TAHOE BLUE	TA
BLACK	BK	COUNTRY BLUE	CU	HARBOR GREY	HG	PRIME	PR	VICTORIAN GREY	VG
BRONZE	BZ	DESERT SAND	DS	HARVEST BROWN	HV	REDWOOD	RW	WICKER	WI
CHARCOAL GREY	CG	EGGSHELL	ES	MUSKET BROWN	MB	ROYAL BROWN	RB	30 WHITE	WH



Round Elbows



Part #	Description	Colors	Nom. Gauge/ Thickness	Pieces/ Box	Boxes/ Pallet
AER3 - -	Aluminum 3" Round 75°	(Listed Below)	0.019	30	16
AER3M2	Aluminum 3" Round 75°	M2 (Premium Color)	0.019	30	16
AER4 - -	Aluminum 4" Round 75°	(Listed Below)	0.019	30	16
AER4M2	Aluminum 4" Round 75°	M2 (Premium Color)	0.019	30	16
GER430ML	Galvanized 4" Round 30°	Mill	26 ga	20	24
GER445 - -	Galvanized 4" Round 45°	(Listed Below)	26 ga	20	24
GER445ML	Galvanized 4" Round 45°	Mill	26 ga	20	24
GER475 - -	Galvanized 4" Round 75°	(Listed Below)	26 ga	20	24
GER475ML	Galvanized 4" Round 75°	Mill	26 ga	20	24
LER3	Galvalume 3" Round 75°	Mill	26 ga	10	32
LER445	Galvalume 4" Round 45°	Mill	26 ga	10	32
LER4	Galvalume 4" Round 75°	Mill	26 ga	10	32
CER330	Copper 3" Round 30°	Copper	16 oz	Order by the pc.	
CER3	Copper 3" Round 75°	Copper	16 oz	Order by the pc.	
CER430	Copper 4" Round 30°	Copper	16 oz	Order by the pc.	
CER4	Copper 4" Round 75°	Copper	16 oz	Order by the pc.	

Round Offsets



Part #	Description	Colors	Nom. Gauge/ Thickness	Pieces/ Box
ABO12R3 - -	Aluminum 2" Offset 3" Round	(Listed Below)	0.019	20
ABO12R3M2	Aluminum 2" Offset 3" Round	M2 (Premium Color)	0.019	20
ABO14R3 - -	Aluminum 4" Offset 3" Round	(Listed Below)	0.019	20
ABO14R3M2	Aluminum 4" Offset 3" Round	M2 (Premium Color)	0.019	20
ABO12R4 - -	Aluminum 2" Offset 4" Round	(Listed Below)	0.019	20
ABO12R4M2	Aluminum 2" Offset 4" Round	M2 (Premium Color)	0.019	20
ABO14R4 - -	Aluminum 4" Offset 4" Round	(Listed Below)	0.019	20
ABO14R4M2	Aluminum 4" Offset 4" Round	M2 (Premium Color)	0.019	20
ABO16R4 - -	Aluminum 6" Offset 4" Round	(Listed Below)	0.019	20
CBO12R3	Copper 2" Offset 3" Round	Copper	16 oz	Order by the pc.
CBO14R3	Copper 4" Offset 3" Round	Copper	16 oz	Order by the pc.
CBO12R4	Copper 2" Offset 4" Round	Copper	16 oz	Order by the pc.
CBO14R4	Copper 4" Offset 4" Round	Copper	16 oz	Order by the pc.
CBO16R4	Copper 6" Offset 4" Round	Copper	16 oz	Order by the pc.

Rainware & Accessories Aluminum Colors

COLOR	CODE	COLOR	CODE	COLOR	CODE	COLOR	CODE	COLOR	CODE
ALMOND	AL	BUCKSKIN	BU	HARBOR GREY	HG	ROYAL BROWN	RB	VICTORIAN GREY	VG
ANTIQUÉ IVORY	AI	CAMEO	CA	■ MUSKET BROWN	MB	★ ■ RUSTIC COPPER	M2	WICKER	WI
BEAVER BROWN	BB	CHARCOAL GREY	CG	PEBBLESTONE CLAY	PC	SANDTONE	ST	■ 30 WHITE	WH
BLACK	BK	CLASSIC CREAM	CC	PG METALLIC	M3	TERRA BRONZE	TB	80 WHITE	80
■ BRONZE	BZ	■ COPPER PENNY	CP						

■ Stocked half-round colors. Balance of colors available with extended lead-time.

★ Rustic Copper is a PREMIUM color. NOTE: Rustic Copper (M2) accessories, including miters and end caps, may display paint finish variations due to the metallic painting process, which may affect matching components.



NORANDEX™ Half Round Products

HOUSTON PLANT

Half Round Outlets		Part #	Description	Colors	Nom. Gauge/ Thickness	Pieces/ Box	
	AOROH63ML	Aluminum 3" Round x 6" HR Outlet	*	0.019	50		
	AOROH64ML	Aluminum 4" Round x 6" HR Outlet	*	0.019	50		
	GOROH63	Galvanized 3" Round x 6" HR Outlet	*	26 ga	Order by the pc.		
	GOROH64	Galvanized 4" Round x 6" HR Outlet	*	26 ga	Order by the pc.		
	COROH63	Copper 3" Round x 6" HR Outlet	Copper	16 oz	Order by the pc.		
	COROH64	Copper 4" Round x 6" HR Outlet	Copper	16 oz	Order by the pc.		
	*NOTE: Aluminum outlets made with mill or painted finish per manufacturer's discretion.						

Half Round Miters		Part #	Description	Colors	Nom. Gauge/ Thickness	Pieces/ Box
	ASMH6I - -	Aluminum 6" 90°, Strip, Inside	(Listed Below)	0.027	20	
	ASMH6IM2	Aluminum 6" 90°, Strip, Inside	M2 (Premium Color)	0.027	20	
	ASMH6O - -	Aluminum 6" 90°, Strip, Outside	(Listed Below)	0.027	20	
	ASMH6OM2	Aluminum 6" 90°, Strip, Outside	M2 (Premium Color)	0.027	20	
	ABYH6I - -	Aluminum 6" 45°, Bay, Inside	(Listed Below)	0.027	20	
	ABYH6IM2	Aluminum 6" 45°, Bay, Inside	M2 (Premium Color)	0.027	20	
	ABYH6O - -	Aluminum 6" 45°, Bay, Outside	(Listed Below)	0.027	20	
	ABYH6OM2	Aluminum 6" 45°, Bay, Outside	M2 (Premium Color)	0.027	20	
	LSMH6I	Galvalume 6" 90°, Strip, Inside	Mill	26 ga	20	
	LSMH6O	Galvalume 6" 90°, Strip, Outside	Mill	26 ga	20	
	CSMH6I	Copper 6" 90°, Strip, Inside	Copper	16 oz	20	
	CSMH6O	Copper 6" 90°, Strip, Outside	Copper	16 oz	20	

Half Round Slip Joints		Part #	Description	Colors	Nom. Gauge/ Thickness	Pieces/ Box
	ASJCH6WH	Aluminum 6" HR Slip Joint	WH	0.019	Order by the pc.	
	LSJCH6WH	Galvalume 6" HR Slip Joint	WH	26 ga	Order by the pc.	

Half Round End Caps		Part #	Description	Colors	Nom. Gauge/ Thickness	Pieces/ Box
	AECH6 - -	Aluminum 6" HR Universal End Cap	(Listed Below)	0.019	20	
	AECH6M2	Aluminum 6" HR Universal End Cap	M2 (Premium Color)	0.019	20	
	LECH6	Galvalume 6" HR Universal End Cap	Mill	26 ga	20	
	CECH6	Copper 6" HR Universal End Cap	Mill	26 ga	20	

Rainware & Accessories Aluminum Colors

COLOR	CODE	COLOR	CODE	COLOR	CODE	COLOR	CODE	COLOR	CODE
ALMOND	AL	BUCKSKIN	BU	HARBOR GREY	HG	ROYAL BROWN	RB	VICTORIAN GREY	VG
ANTIQUE IVORY	AI	CAMEO	CA	■ MUSKET BROWN	MB	★ ■ RUSTIC COPPER	M2	WICKER	WI
BEAVER BROWN	BB	CHARCOAL GREY	CG	PEBBLESTONE CLAY	PC	SANDTONE	ST	■ 30 WHITE	WH
BLACK	BK	CLASSIC CREAM	CC	PG METALLIC	M3	TERRA BRONZE	TB	80 WHITE	80
■ BRONZE	BZ	■ COPPER PENNY	CP						

■ Stocked half-round colors. Balance of colors available with extended lead-time.
 ★ Rustic Copper is a PREMIUM color. NOTE: Rustic Copper (M2) accessories, including miters and end caps, may display paint finish variations due to the metallic painting process, which may affect matching components.



NORANDEX™ Half Round Products

HOUSTON PLANT

Half Round Brackets

ACC10H6



AHRFH6



Part #	Description	Colors	Pieces/ Box
ACC10H6 - -	Aluminum 6" HR Combo Cir/Shk w/Clip Hanger	BZ, MB, 80	Order by the pc.
ACC10H6ML	Aluminum 6" HR Combo Cir/Shk w/Clip Hanger	Mill	Order by the pc.
AHRFH6 - -	Aluminum 6" HR Fascia Hanger	BZ, MB, WH	Order by the pc.
GCC10H6	Galvanized 6" HR Combo Cir/Shk w/Clip Hanger	Mill	Order by the pc.
* GSC10H6	Galvanized 6" 10# Spring Clip Combo	Mill	50
LHRFH6	Galvalume 6" HR Fascia Hanger	Mill	Order by the pc.
** BSC10H6	Brass Spring Clip for #10 Combo	Brass	50
CCC10H6	Copper 6" HR Combo Cir/Shk w/Clip Hanger	Copper	Order by the pc.
CHRFH6	Copper 6" HR Fascia Hanger	Copper	25

*For use with part GCC10H6.
**For use with part CCC10H6.

Half Round Hidden Hangers

AHHHR6ML



AHHSR6ML



Part #	Description	Colors	Pieces/ Box
AHHHR6ML	Aluminum 6" HR Hook Hanger	Mill	100
AHHSR6ML	Aluminum 6" HR Hidden Clip Hanger w/Screw	Mill	100
SHHHR6ML	Stainless Steel 6" HR Hook Hanger	Mill	100

Note: Only for reverse bead half round gutters

Half Round T-Wedge Hangers



Part #	Description	Colors	Nom. Gauge/ Thickness	Pieces/ Bag
ATWHR49ML	Aluminum HR T-Wedge 4900	Mill	0.070	50

A T-Wedge can be adjusted to keep the gutter level at various fascia board angles.

Rainware Aluminum Colors:

COLOR	CODE	COLOR	CODE	COLOR	CODE	COLOR	CODE
BRONZE	BZ	MUSKET BROWN	MB	WHITE	WH	80 WHITE	80



NORANDEX™ Gutter Protection

HOUSTON PLANT

Screen Systems

Part #	Description	Color	Nom. Gauge/ Thickness	Piece Length	Pieces/ Box	Feet/ Box
--------	-------------	-------	--------------------------	-----------------	----------------	--------------



NX Premium Stainless Steel Micro Mesh

The ultimate in gutter protection! This tightly woven, heavy gauge stainless steel micro mesh gutter guard, with its corrosion-resistant properties, is a significant debris deterrent. It installs easily under the shingles and fastens to the front gutter hem with provided screws, while self-adjusting to various roof pitches.

ALGP5SPML	5" Premium SS Micro Mesh	Mill	14 ga	4'	25	100'
ALGP6SPML	6" Premium SS Micro Mesh	Mill	14 ga	4'	25	100'
ALMMMI56ML	Stainless Steel Mesh Inside Corner 5/6"	Mill	14 ga	-	3	-



NX Drop-In

The front attachment provides a firm hold to the front of the gutter and has a wide mounting flange for a permanent install. The mill finish aluminum screen is micro crimped for enhanced durability.

ALGP5DIML	Aluminum 5" Drop-In	Mill	0.025	4'	50	200'
ALGP6DIML	Aluminum 6" Drop-In	Mill	0.025	4'	50	200'



NX Lock Small Hole

The small hole screen system installs quickly without disturbing the shingles with its front and back snap lock system.

GGP5LSHBK	Galvanized 5" Lock Small Hole	BK	28 ga	4'	25	100'
GGP6LSHBK	Galvanized 6" Lock Small Hole	BK	28 ga	4'	25	100'
GGP7LSHBK	Galvanized 7" Lock Small Hole	BK	28 ga	4'	25	100'



NX Lock Regular Hole

The regular hole screen system installs quickly without disturbing the shingles with its front and back snap lock system.

GGP5LRHBK	Galvanized 5" Lock Regular Hole	BK	28 ga	4'	25	100'
GGP6LRHBK	Galvanized 6" Lock Regular Hole	BK	28 ga	4'	25	100'



NX Step Down

The small hole screen incorporates a raised snap-in system in the back of the gutter to seal off the void between the shingles and the screen. Step Down installs quickly without the use of screws or disturbing the shingles.

GGP5SDBK	Galvanized 5" Step Down	BK	28 ga	4'	25	100'
GGP6SDBK	Galvanized 6" Step Down	BK	28 ga	4'	25	100'



NX Premium Lock

The tiny holes keeps out small debris, while allowing water to flow through the screen. Two stiffening beads run down the center of the screen for added strength. Installation is quick and easy without disturbing the shingles. The screen locks into place with a raised back and front-tiered mounting system.

ALGP5PLBK	Aluminum 5" Premium Lock (screen tiny holes)	BK	0.032	4'	25	100'
ALGP6PLBK	Aluminum 6" Premium Lock (screen tiny holes)	BK	0.032	4'	25	100'



NX Deluxe Half Round

Spring tension design holds this gutter screen in place. Snaps in and out of half round gutters for easy cleaning. 28 gauge steel stands tough under a full load of wet leaves without collapsing. Installs with a slope toward the front to help debris slide off.

GLGEZ6DH	Galvanized 6.5" Deluxe Half Round	BK	28 ga	4'	25	100'
----------	-----------------------------------	----	-------	----	----	------

Gutter Screen System Color:

COLOR	CODE	COLOR	CODE
BLACK	BK	MILL	ML

Gutter Protection

HOUSTON PLANT

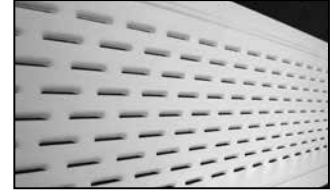
Gutter Protection		Part #	Description	Colors	Nom. Gauge/ Thickness	Piece Length	Pieces/ Box
ALGLFH55	- -	Aluminum 5"/6" Perforated High-Flow Gutter Cover with Screws 4'	AL, BK, CC, DB, EG, IV, MB, PL, RB, S1, TB, TX, WH	0.024	4'	25	
ALGRX5	- -	Aluminum 5" Drop-In Cover 6'	DB, WH	0.019	6'	50	
ALGRX6	- -	Aluminum 6" Drop-In Cover 6'	DB, WH	0.019	6'	50	
ALGP5CS	- -	Aluminum 5" Clean Sweep 7-1/2'	BK, WH	0.019	7-1/2'	40	
ALGP6CS	- -	Aluminum 6" Clean Sweep 7-1/2'	BK, WH	0.019	7-1/2'	40	



ALGLFH55 Perforated High-Flow



ALGRX5 Drop-In



ALGP5CSWH Clean Sweep

Gutter Protection Colors:

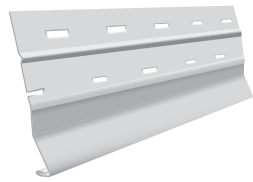
COLOR	CODE	COLOR	CODE	COLOR	CODE	COLOR	CODE	COLOR	CODE
ALMOND	AL	CLAY	CL	IVORY	IV	ROYAL BROWN	RB	TUXEDO GRAY	TX
BLACK	BK	DARK BRONZE	DB	MUSKET BROWN	MB	SAND	S1	30 WHITE	WH
CLASSIC CREAM	CC	EVERGREEN	EG	PEARL GRAY	PL	TERRA BRONZE	TB		



NORANDEX™ Siding Accessories

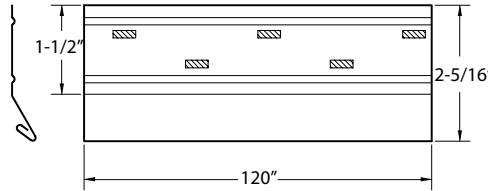
HOUSTON PLANT

Starter Strip

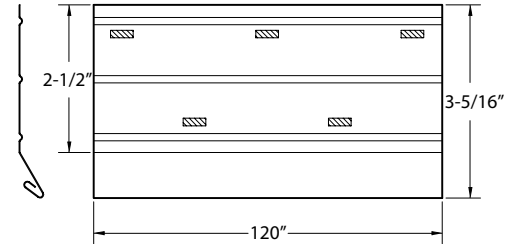


Part #	Description	Colors	Nom. Gauge/ Thickness	Piece Length	Pieces/ Box	Boxes/ Pallet	Pieces/ Pallet
ASS25ML	Aluminum 2-1/2" Starter Strip	Mill	0.019	10'	50	24	1200
ASS35ML	Aluminum 3-1/2" Starter Strip	Mill	0.019	10'	25	24	600
GSS25ML	Galvanized 2-1/2" Starter Strip	Mill	28 ga	10'	50	24	1200
GSS35ML	Galvanized 3-1/2" Starter Strip	Mill	28 ga	10'	25	24	600

ASS25ML, GSS25ML



ASS35ML, GSS35ML

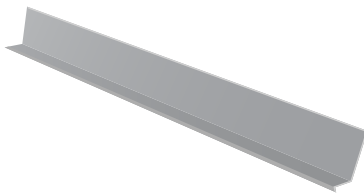


Z-Bar



Part #	Description	Colors	Nom. Gauge/ Thickness	Piece Length	Pieces/ Box
GZB26213ML	Galvanized 1" Tile Z-Bar	Mill	26 ga	10'	25
GZB30516ML	Galvanized 5/16" Z-Bar	Mill	30 ga	10'	25
GZB3038ML	Galvanized 3/8" Z-Bar	Mill	30 ga	10'	25
GZB30716ML	Galvanized 7/16" Z-Bar	Mill	30 ga	10'	25
GZB3012ML	Galvanized 1/2" Z-Bar	Mill	30 ga	10'	25
GZB3058ML	Galvanized 5/8" Z-Bar	Mill	30 ga	10'	25
GZB3034ML	Galvanized 3/4" Z-Bar	Mill	30 ga	10'	25
GZB301ML	Galvanized 1" Z-Bar	Mill	30 ga	10'	25

Window Flashing



Part #	Description	Colors	Nom. Gauge/ Thickness	Piece Length	Pieces/ Box
GWF30214ML	Galvanized 2 x 1-1/4 x 1/2 Wind. Flash.	Mill	30 ga	10'	Order by the pc.
GWF30215ML	Galvanized 2 x 1-1/2 x 1/2 Wind. Flash.	Mill	30 ga	10'	Order by the pc.
GWF30213ML	Galvanized 2 x 1-3/4 x 1/2 Wind. Flash.	Mill	30 ga	10'	Order by the pc.
GWF30225ML	Galvanized 2 x 2-1/2 x 1/2 Wind. Flash.	Mill	30 ga	10'	Order by the pc.
GWF302525M	Galvanized 2-1/2 x 2-1/2 x 1/2 Wind. Flash.	Mill	30 ga	10'	Order by the pc.
GWF302535M	Galvanized 2-1/2 x 3-1/2 x 1/2 Wind. Flash.	Mill	30 ga	10'	Order by the pc.
GWF30315ML	Galvanized 3 x 1-1/2 x 1/2 Wind. Flash.	Mill	30 ga	10'	Order by the pc.
GWF30425ML	Galvanized 4 x 2-1/2 x 1/2 Wind. Flash.	Mill	30 ga	10'	Order by the pc.
GWF3047ML	Galvanized 4 x 7 x 1/2 Wind. Flash.	Mill	30 ga	10'	Order by the pc.
GWF30634ML	Galvanized 6 x 3/4 x 1/2 Wind. Flash.	Mill	30 ga	10'	Order by the pc.
GWF30615ML	Galvanized 6 x 1-1/2 x 1/2 Wind. Flash.	Mill	30 ga	10'	Order by the pc.
GWF30834ML	Galvanized 8 x 3/4 x 1/2 Wind. Flash.	Mill	30 ga	10'	Order by the pc.



ALUMINUM LIMITED LIFETIME WARRANTY

GUTTER SYSTEM PRODUCTS

Norandex manufactures Aluminum Gutter Coil and Gutter System Products in accordance with high standards and tight quality controls. The aluminum products will not rust, burn, support combustion, split, or crack due to cold weather.



BUY NORANDEX GUTTER SYSTEM PRODUCTS WITH CONFIDENCE KNOWING THAT:

- Norandex Aluminum Gutter System products carry a Limited Lifetime Warranty.
- Material and Labor is covered.
- Transferable at no charge.
- Doesn't require registration.

WHAT DOES THIS WARRANTY COVER?

Norandex warrants to the owner of the property at the time the products were installed, that the products are free from defects in material and workmanship in the course of manufacture, and that the finish on the products will not chip, peel, flake, or blister under conditions of ordinary wear if installed according to local building codes and industry specifications. This warranty is limited to the terms and conditions, exclusions and limitations, requirements and legal rights stated in this warranty.

HOW LONG DOES THE COVERAGE LAST?

If the property is individually owned, this Limited Lifetime Warranty lasts for the life of the property on which the products were originally applied for as long as the individual owns the property. If the property is not individually owned (e.g., corporation, condominium, cooperative housing arrangement, unincorporated association, school, church, government or public entity, etc.), the warranty period will be 50-years from the date of original installation of the products on the property, prorated as outlined in the Warranty Coverage Schedule contained within. This Limited Lifetime Warranty may be transferred with the property. However, upon the transfer, the warranty period will be no more than 50-years from the date of original installation of the products on the property, prorated in accordance with the Warranty Coverage Schedule contained within.

WHAT WILL NORANDEX DO?

Property owner must notify Norandex in accordance with the notice requirements outlined below to validate the complaint. In the event Norandex is denied access for an inspection, this warranty is null and void. Upon the notification and validation, Norandex will undertake the following: Norandex will repair, replace, or refund the purchase price of the defective portion of Norandex product that blisters, cracks, crazes, flakes, peels, or weathers unevenly due to a defect in the manufacturing process. Norandex obligations under this warranty will in no event exceed the purchase price of the originally installed products found to be warrantable and the cost of the labor involved in the original installation of such defective products. Any additional costs and expenses beyond these amounts are the property owner's responsibility. Norandex will not pay or be responsible for any costs associated with anything else affixed to the Norandex Metals product.

In the event of repair, replacement, or refinishing, the warranty will extend only for the time remaining under the original warranty. Norandex will determine the reasonable labor costs to repair, repaint, or replace product under this warranty.

WHAT IS NOT COVERED UNDER THE WARRANTY?

This warranty does not cover damage of any kind resulting from:

- Uninstalled product that is stored in situations where standing water is covering the surface for a prolonged period of times.
- Buckling or rippling of gutters.

- Faulty or improper contractor fabrication or installation, including "oil canning", waving, buckling, or other distortions.
- Installation of product in direct contact with dissimilar materials or salt spray.
- Cracking or crazing of the paint surface due to field forming of products in cold temperatures.
- Changes in surface color resulting from chalking, fading, soiling, tree sap, or staining. Exposure to the elements may cause these changes over time; the degree to which weathering occurs will vary depending on air quality, the building's location, and other local conditions over which Norandex has no control.
- Accidental damage.
- Settlement.
- Structural shrinkage or distortion of the property structure.
- Fire.
- Lightning, hurricane, tornado, windstorm, earthquake, hail, ice damage or other acts of God.
- Harmful chemicals including harmful cleaning compounds, herbicides, fertilizers, and pesticides.
- Fumes, volcanic smog, or vapors within 30-miles of volcano.
- Surface deterioration due to air pollution, use for animal confinement structures, or within a mile of seacoast and other bodies of saltwater.
- Misuse or abuse. Use of high pressure sprayers will void warranty.
- Vandalism;
- Airborne stains, mold and mildew accumulation.
- Tiger striping or atmospheric soil accumulation is a naturally occurring phenomenon that is not covered under the finish warranty.
- Failure of original or subsequent property owners to provide reasonable and necessary maintenance of the products (see "Care & Maintenance Instructions").
- Impact of foreign objects.
- Warping or distortion due to exposure to excessive heat sources (e.g., barbecue grills), or exposure to unusual or excessive reflective heat sources (e.g., window reflection).
- Products that have been painted, reinstalled, or whose surface has been altered in any way will void the paint finish warranty.
- Any other causes beyond Norandex reasonable control.

OTHER LIMITATIONS

1. This warranty covers only genuine Norandex Aluminum Gutter Coil and Gutter System products. It is the responsibility of the property owner to verify that the Gutter System products installed are Norandex products. Norandex products are warranted in the continental United States, Hawaii, and Alaska.
2. Gutter Coil is designed and intended for Gutter System applications and should not be used as roofing material or metal dome gutter protection due to esthetic reasons.
3. Due to normal weathering, replacement products may differ in gloss and color from products originally installed on the property.
4. Norandex reserve the right to discontinue or change any design or color of any products, at any time, and without notice or liability. If products of the type originally installed are no longer available, Norandex may substitute another product determined to be of comparable quality and price.

Continued on next page →

ACM Customer Service

MW / NE - 877-279-5096

SE - 800-749-4067

SW - 800-357-7523

W - 877-213-5962



ALUMINUM LIMITED LIFETIME WARRANTY SIDING ACCESSORIES

Norandex manufactures Aluminum Siding Accessories which include Trim Coil, Soffit, Fascia, Soffit Channels, Drip Cap, and Z-Flashings, in accordance with high standards and tight quality controls. The aluminum products will not rust, burn, support combustion, split, or crack due to cold weather.



BUY NORANDEX ALUMINUM SIDING ACCESSORIES WITH CONFIDENCE KNOWING THAT:

- Norandex aluminum siding accessories carry a Limited Lifetime Warranty.
- Material and Labor is covered.
- Transferable at no charge.
- Doesn't require registration.

WHAT DOES THIS WARRANTY COVER?

Norandex warrants to the owner of the property at the time the products were installed, that the products are free from defects in material and workmanship in the course of manufacture, and that the finish on the products will not chip, peel, flake, or blister under conditions of ordinary wear if installed according to local building codes and industry specifications. This warranty is limited to the terms and conditions, exclusions and limitations, requirements, and legal rights stated in this warranty.

HOW LONG DOES THE COVERAGE LAST?

If the property is individually owned, this Limited Lifetime Warranty lasts for the life of the property on which the products were originally applied for as long as the individual owns the property. If the property is not individually owned (e.g., corporation, condominium, cooperative housing arrangement, unincorporated association, school, church, government or public entity, etc.), the warranty period will be 50-years from the date of original installation of the products on the property, prorated as outlined in the Warranty Coverage Schedule contained within. This Limited Lifetime Warranty may be transferred with the property. However, upon the transfer, the warranty period will be no more than 50-years from the date of original installation of the products on the property, prorated in accordance with the Warranty Coverage Schedule contained within.

WHAT WILL NORANDEX DO?

Property owner must notify Norandex in accordance with the notice requirements outlined below to validate the complaint. In the event Norandex is denied access for an inspection, this warranty is null and void. Upon the notification and validation, Norandex will undertake the following: Norandex will repair, replace, or refund the purchase price of the defective portion of Norandex product that blisters, cracks, crazes, flakes, peels, or weathers unevenly due to a defect in the manufacturing process. Norandex obligations under this warranty will in no event exceed the purchase price of the originally installed products found to be warrantable and the cost of the labor involved in the original installation of such defective products. Any additional costs and expenses beyond these amounts are the property owner's responsibility. Norandex will not pay or be responsible for any costs associated with anything else affixed to the Norandex product.

In the event of repair, replacement, or refinishing, the warranty will extend only for the time remaining under the original warranty. Norandex will determine the reasonable labor costs to repair, repaint, or replace product under this warranty.

WHAT IS NOT COVERED UNDER THE WARRANTY?

This warranty does not cover damage of any kind resulting from:

- Uninstalled product that is stored in situations where standing water is covering the surface for a prolonged period of times.

- Faulty or improper contractor fabrication or installation, including waving, buckling, or other distortions.
- Installation of product in direct contact with dissimilar materials or salt spray.
- Cracking or crazing of the paint surface due to field forming of products in cold temperatures.
- Changes in surface color resulting from chalking, fading, soiling, tree sap, or staining. Exposure to the elements may cause these changes over time; the degree to which weathering occurs will vary depending on air quality, the building's location, and other local conditions over which Norandex has no control.
- Accidental damage.
- Settlement.
- Structural shrinkage or distortion of the property structure.
- Fire.
- Lightning, hurricane, tornado, windstorm, earthquake, hail, ice damage or other acts of God.
- Harmful chemicals including harmful cleaning compounds, herbicides, fertilizers, and pesticides.
- Fumes, volcanic smog, or vapors within 30-miles of volcano.
- Surface deterioration due to air pollution, use for animal confinement structures, or within a mile of seacoast and other bodies of saltwater.
- Misuse or abuse. Use of high pressure sprayers will void warranty.
- Vandalism.
- Airborne stains, mold and mildew accumulation.
- Tiger striping or atmospheric soil accumulation is a naturally occurring phenomenon that is not covered under the finish warranty.
- Failure of original or subsequent property owners to provide reasonable and necessary maintenance of the products (see "Care & Maintenance Instructions").
- Impact of foreign objects.
- Warping or distortion due to exposure to excessive heat sources (e.g., barbecue grills), or exposure to unusual or excessive reflective heat sources (e.g., window reflection).
- Products that have been painted, reinstalled, or whose surface has been altered in any way will void the paint finish warranty.
- Any other causes beyond Norandex reasonable control.

OTHER LIMITATIONS

1. This warranty covers only genuine Norandex aluminum siding accessories. It is the responsibility of the property owner to verify that the siding accessories installed are Norandex products. Norandex products are warranted in the continental United States, Hawaii, and Alaska.
2. Oil canning is a natural occurring phenomenon on the surface of soffit panels and is associated with the milling of thinner gauge Aluminum. Norandex guarantees these spans with specific thickness to be free of oil canning:
 - .012 2-Foot Spans
 - .019 6-Foot Spans
3. Due to normal weathering, replacement products may differ in gloss and color from products originally installed on the property.
4. Norandex reserve the right to discontinue or change any design or color of any products, at any time, and without notice or liability. If products of the type originally installed are no longer available, Norandex may substitute another product determined to be of comparable quality and price.

Continued on next page →

ACM Customer Service

MW / NE - 877-279-5096

SE - 800-749-4067

SW - 800-357-7523

W - 877-213-5962



STEEL LIMITED LIFETIME WARRANTY GUTTER SYSTEM PRODUCTS

Norandex manufactures Steel Gutter System Products including gutter coil in accordance with high standards and tight quality controls. The products will not burn, support combustion, or split, or crack due to cold weather because they are made of steel.



BUY NORANDEX STEEL GUTTER SYSTEM PRODUCTS WITH CONFIDENCE KNOWING THAT:

- Norandex Steel Gutter System products carry a Limited Lifetime Warranty.
- Material and Labor is covered.
- Doesn't require registration.

WHAT DOES THIS WARRANTY COVER?

Norandex warrants to the owner of the property at the time the products were installed, that the products are free from defects in material and workmanship in the course of manufacture, and that the finish on the products will not chip, peel, flake, or blister under conditions of ordinary wear if installed according to local building codes and industry specifications. This warranty excludes any areas of the material that are within 3/4" of any edge that has been cut subsequent to the application of the paint to the substrate. This warranty is limited to the terms and conditions, exclusions and limitations, requirements, and legal rights stated in this warranty.

HOW LONG DOES THE COVERAGE LAST?

If the property is individually owned, this Limited Lifetime Warranty lasts for the life of the property on which the products were originally applied for as long as the individual owns the property. If not individually owned (e.g., corporation, condominium, cooperative housing arrangement, unincorporated association, school, church, government or public entity, etc.), the warranty period will be 50-years from the date of original installation of the products on the property, prorated as outlined in the Warranty Coverage Schedule contained within. This Limited Lifetime Warranty is limited to the original owner. Coverage will be 100% for 10-years after the installation and prorated after that period. See Warranty Coverage Schedule section for details of prorated coverage.

WHAT WILL NORANDEX DO?

Property owner must notify Norandex in accordance with the notice requirements outlined below to validate the complaint. In the event the manufacturer is denied access for an inspection, this warranty is null and void. Upon the notification and validation, Norandex will undertake the following: Norandex will repair, replace, or refund the purchase price of the defective portion of the product that blisters, cracks, crazes, flakes, peels, or weathers unevenly due to a defect in the manufacturing process. Norandex obligations under this warranty will in no event exceed the purchase price of the originally installed products found to be warrantable and the cost of the labor involved in the original installation of such defective products. Any additional costs and expenses beyond these amounts are the property owner's responsibility. Norandex will not pay or be responsible for any costs associated with anything else affixed to the Norandex product.

In the event of repair, replacement, or refinishing, the warranty will extend only for the time remaining under the original warranty. Norandex will determine the reasonable labor costs to repair, repaint, or replace product under this warranty.

WHAT IS NOT COVERED UNDER THE WARRANTY?

This warranty does not cover damage of any kind resulting from:

- Product that is stored in situations where standing water is covering the surface for prolonged period of time.
- Faulty or improper installation, including "oil canning", waving, buckling, or other distortions.
- Installation of Norandex product in direct contact with dissimilar materials, salt spray, and cedar shake roofing.
- Cracking or crazing of the Product's paint surface due to field forming of products in cold temperatures; or material that has bends less than 2T for a sheet thickness of 0.0299" and thinner and bends less than 4T for a sheet thickness of 0.0300" and thicker.
- Changes in surface color resulting from chalking, fading, soiling, tree sap, or staining. Exposure to the elements may cause these changes over time; the degree to which weathering occurs will vary depending on air quality, the building's location, and other local conditions over which Norandex has no control.
- Accidental damage.
- Settlement.
- Structural shrinkage or distortion of the property structure.
- Fire.
- Lightning, hurricane, tornado, windstorm, earthquake, hail, ice damage or other acts of God.
- Harmful chemicals including harmful cleaning compounds, herbicides, fertilizers, and pesticides.
- Fumes, volcanic smog, or vapors within 30-miles of volcano.
- Surface deterioration due to air pollution, use for animal confinement structures, or within 1-mile of seacoast and other bodies of saltwater.
- Misuse or abuse. Use of high pressure sprayers will void warranty.
- Vandalism.
- Airborne stains, mold and mildew accumulation.
- Tiger striping or atmospheric soil accumulation is a naturally occurring phenomenon that is not covered under the finish warranty.
- Failure of original property owner to provide reasonable and necessary maintenance of the products (see "Care & Maintenance Instructions").
- Impact of foreign objects.
- Warping or distortion due to exposure to excessive heat sources (e.g., barbecue grills) or exposure to unusual or excessive reflective heat sources (e.g., window reflection).
- Products that have been painted, reinstalled, or whose surface has been altered in any way will void the paint finish warranty.
- Any other causes beyond Norandex reasonable control.

Continued on next page →

ACM Customer Service

MW / NE - 877-279-5096

SE - 800-749-4067

SW - 800-357-7523

W - 877-213-5962

NOTES:



NORANDEX™

EXTERIOR PRODUCTS FOR YOUR HOME

Houston Plant Rainware Colors



30 DEG. WHITE



80 DEG. WHITE



NX ALMOND



ALMOND



ANTIQUÉ IVORY



BEAVER BROWN



BLACK



BRONZE



BROOKSTONE



BUCKSKIN



CAMEO



CHARCOAL GREY



CLASSIC CREAM



COPPER PENNY



COUNTRY BLUE



DESERT SAND



EVEREST



HARBOR GREY



HERRINGBONE



LINEN



MUSKET BROWN



PEBBLESTONE CLAY



PG METALLIC



REDWOOD



ROYAL BROWN



RUSTIC COPPER
(Premium Color)



SANDTONE



NX SIERRA CLAY



TERRA BRONZE



TUXEDO GREY



VICTORIAN GREY



VILLAGE GREEN



WICKER

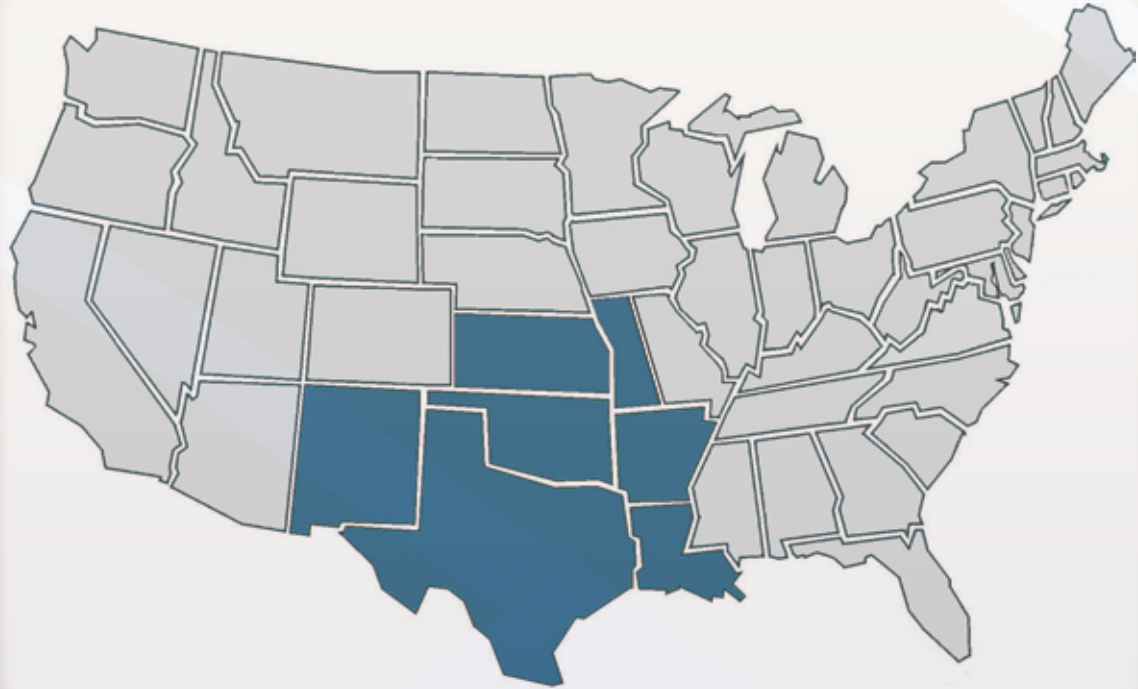
Note: Please refer to metal color swatches for color accuracy.

PROUDLY FINISHED WITH
SHERWIN-WILLIAMS®
Coil Coatings



NORANDEX™

EXTERIOR PRODUCTS FOR YOUR HOME



Houston Plant Coverage